

Wall Mounted Rotary Panel

Model No.: T11-K, T12-K, T13-K

1-3 color/Glass panel/Rotary dimming/AC input/DMX 512 and RF 2.4G signal output




T11-K



T12-K



T13-K

CE RoHS  LVD

Features

- Rotary panel single color, dual color or RGB DMX512 master, can also be used as one zone RF remote.
- DMX signal output, comply to standard DMX512 protocol, compatible with DMX decoder from any supplier.
- When work as DMX512 master, compatibility with RF 2.4G single zone or multiple zone remote control.
- When used as RF remote, can remote control multiple RF 2.4G LED controllers.
- Rotate knob to change RGB color, color temperature or brightness.
- 256 levels 0-100% dimming smoothly without any flash.
- Push/Rotate with chord tones and LED indicator.
- White & Black glass panel available.

Technical Parameters

Model No.	T11-K	T12-K	T13-K
Light type	Single color	Dual color	RGB
Output DMX channel number	1	2	3

Input and Output	
Input voltage	100-240VAC
Input current	Max 0.1A
Output signal	DMX512, RF 2.4GHz

Safety and EMC	
EMC standard [EMC]	ETSI EN 301 489-1 V2.2.3 ETSI EN 301 489-17 V3.2.4
Safety standard[LVD]	EN 62368-1:2020+A11:2020
Radio Equipment[RED]	ETSI EN 300 328 V2.2.2
Certification	CE,EMC,LVD,RED

Warranty	
Warranty	5 years

Dimming data	
Input signal	Rotary knob + RF 2.4GHz
RF Control distance	10m[Barrier-free space]
Dimming level	256 levels
Dimming range	0-100%

Environment	
Operation temperature	Ta: -30°C ~ +55°C
Case temperature (Max.)	Tc: +65°C
IP rating	IP20

Knob function

T11-K Single color dimmer



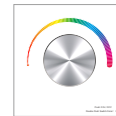
- **Push:** Turn on or off light.
After turn on light:
- **Rotate:** Rotate knob to adjust brightness (2.5 turns, 50 levels).
- **Long push(1-6s):** Continuous 256 levels brightness adjustment.

T12-K Dual color temperature



- **Push:** Turn on or off light.
After turn on light:
- **Rotate:** Rotate knob to change color temperature or brightness (2.5 turns, 50 levels).
- **Push twice:** Switch between color temperature or brightness adjustment.
- **Long push(1-6s):** Continuous 256 levels brightness adjustment.

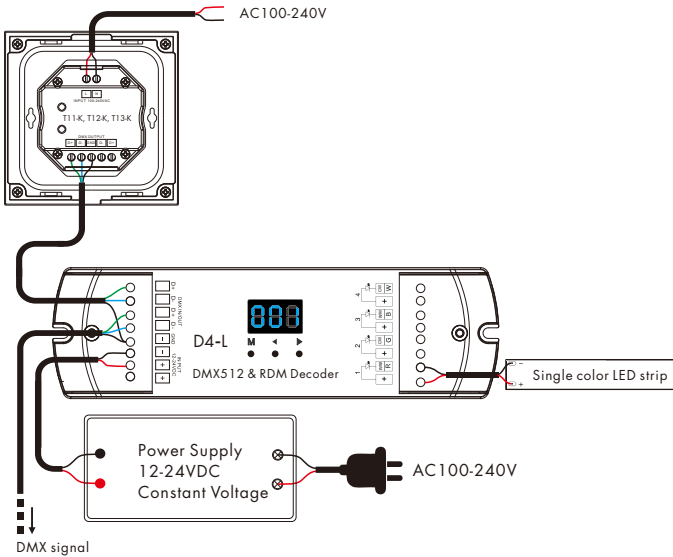
T13-K RGB



- **Push:** Turn on or off light.
After turn on light:
- **Rotate:** Rotate knob to change RGB color (3 turns, 60 colors) or brightness (2.5 turns, 50 levels).
- **Push twice:** Switch between RGB color or brightness adjustment.
- **Long push(1-6s):** Continuous 256 levels brightness adjustment.

Note: After push knob to turn off light, long press push knob for 5 seconds will turn on or turn off tone.

Wiring Diagram for rotary panel work as DMX512 master



When the rotary panel controller work as DMX512 master, it can also match with the RF remote (optional). End user can choose the suitable match/delete ways. Two options are offered for selection:

Use Knob

Match:

Turn on light, turn off, immediately push the knob for 5s, then press on/off key (single zone remote) or zone key (multiple zone remote) of the RF remote within 5s. The LED indicator fast flash 3 times means match is successful.

Delete:

Turn on light, turn off, immediately push the knob for 10s to delete all match, The LED indicator fast flash 6 times means all matched remotes were deleted.

Use Power Restart

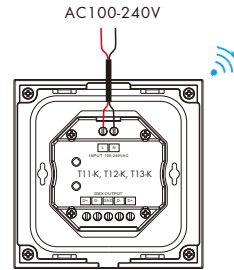
Match:

Switch off the power, then switch on power, repeat again. immediately short press on/off key (single zone remote) or zone key (multiple zone remote) 3 times on the remote. The LED indicator fast flash 3 times means match is successful.

Delete:

Switch off the power, then switch on power, repeat again. immediately short press on/off key (single zone remote) or zone key (multiple zone remote) 5 times on the remote. The LED indicator fast flash 6 times means all matched remotes were deleted.

Wiring Diagram for rotary panel work as RF remote



When the rotary panel controller work as RF remote, it need match with other RF 2.4G LED controllers. End user can choose the suitable match/delete ways. Two options are offered for selection:

Use the controller's Match key

Match:

Short press match key, immediately short press the knob of the rotary panel. The LED indicator fast flash a few times means match is successful.

Delete:

Press and hold match key for 5s to delete match, The LED indicator fast flash a few times means match was deleted.

Use Power Restart

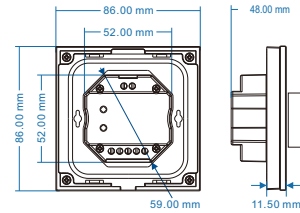
Match:

Switch off the power of the receiver, then switch on power, repeat again. immediately short press the knob 3 times on the rotary panel. The light blinks 3 times means match is successful.

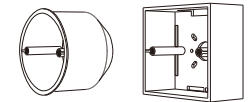
Delete:

Switch off the power of the receiver, then switch on power, repeat again. immediately short press the knob 5 times on the rotary panel. The light blinks 5 times means match was deleted.

Mechanical Structures and Installations



Typical base as below:



European style

86 size

Installation diagram:

