



Mi • Light Subordinate New Brand

## RGB+CCT LED Garden Light (LoRa 433)

Model No.: FUTC05L / FUTC06L / FUTC07L

### Product Features

Use LoRa SPSP modem technology, fulfill super long distance signal transmitting, 433MHz RF remote or 433MHz Gateway controllable, 16 millions colors, CCT, brightness and saturation controllable.



RGB+CCT  
16 Millions of colors to choose



Super long distance 433MHz  
remote controller control



Color temperature  
2700~6500K



Smart phone APP control  
(433MHz Gateway is needed)



Dimmable  
Saturation control



Support third party voice control  
(433MHz Gateway is needed)



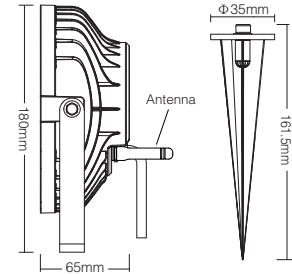
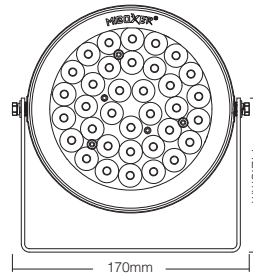
433MHz RF wireless  
transmission technology

### Parameters

#### 25W RGB+CCT LED Garden Light (LoRa 433)

Model No.: FUTC05L  
Input Voltage: AC100~240V 50/60Hz  
Power: 25W  
Working Temp.: -20~60°C  
Color Temp.: 2700~6500K  
Luminous Flux: 1700LM  
Light Efficiency: 70LM/W  
CRI: >75

PF: >0.5  
RF: 433MHz (LoRa spread spectrum)  
Control Distance: 2000m  
Lifespan: 50000h  
Beam Angle: 15°  
Illumination Distance: >15m  
IP Rate: IP66  
Product Weight: 880g

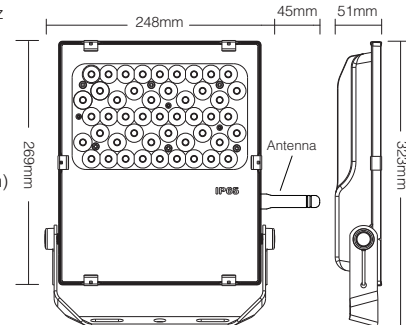


### Dynamic Mode Sheet

Number	Dynamic Mode	Brightness & Speed
1	Mardi gras	Adjustable
2	Automatic color change	
3	Sam	
4	Gemstone	
5	Twilight	
6	American	
7	Fat tuesday	
8	Party	
9	Slow color splash	

#### 50W RGB+CCT LED Garden Light (LoRa 433)

Model No.: FUTC06L  
Input Voltage: AC100~240V 50/60Hz  
Power: 50W  
Working Temp.: -20~60°C  
Color Temp.: 2700~6500K  
Luminous Flux: 4000LM  
Light Efficiency: 80LM/W  
CRI: >80 PF: >0.9  
RF: 433MHz (LoRa spread spectrum)  
Control Distance: 2000m  
Lifespan: 50000h  
Beam Angle: 25°  
Illumination Distance: >15m  
IP Rate: IP65  
Product Weight: 2.07kg



## 100W RGB+CCT LED Garden Light (LoRa 433)

Model No.: FUTC07L

Input Voltage: AC100~240V 50/60Hz

Power: 100W

Working Temp.: -20~60°C

Color Temp.: 2700~6500K

Luminous Flux: 7500LM

Light Efficiency: 75LM/W

CRI: >80 PF: >0.9

RF: 433MHz (LoRa spread spectrum)

Control Distance: 2000m

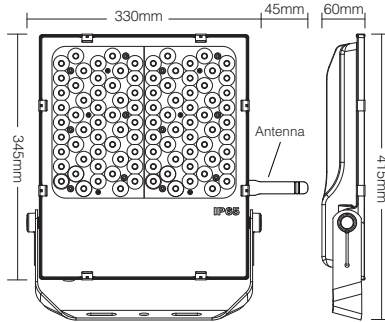
Lifespan: 50000h

Beam Angle: 25°

Illumination Distance: >15m

IP Rate: IP65

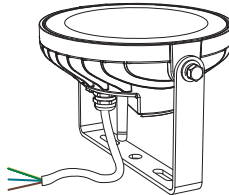
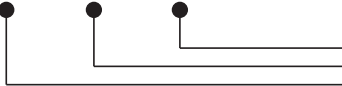
Product Weight: 4.73kg



## FUTC05L Connection Diagram

Input Voltage: AC100~240V 50/60Hz

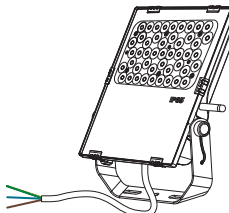
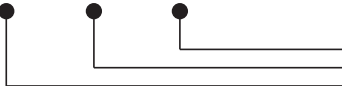
( L ) ( N ) (  $\perp$  )  
Brown Blue Yellow-green



## FUTC06L / FUTC07L Connection Diagram

Input Voltage: AC100~240V 50/60Hz

( L ) ( N ) (  $\perp$  )  
Brown Blue Yellow-green



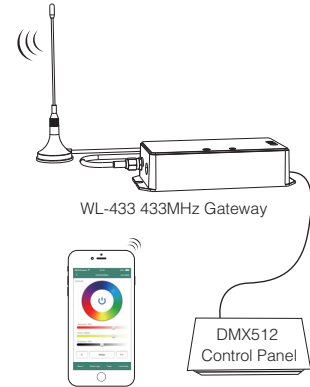
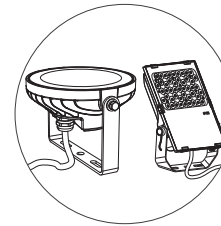
## Link/Unlink

Compatible with "FUT086 remote controller" and "WL-433 433MHz gateway" (Purchased separately)

**⚠ Lighting can be working after linking with remote; for more details, pls read the remote instruction.**



FUT086 LoRa 433MHz RF Remote



## Attention

1. When install the lighting fixtures, pls switch off the power to make sure the safty.
2. Please check whether the input voltage supply is in accordance with the lighting fixtures, and please check the connection of both the cathode and anode.
3. The working power is high voltage alternating current, so it must be far away from people and must with ground connection.
4. Non-professional user cannot dismantle the lighting fixtures directly, otherwise, it may cause fire and electric shock.
5. Please do not use lighting fixtures around the mental area and high magnetic field, otherwise, it will badly affect the control distance.
6. The lighting fixtures will be heating on working, pls do not cover the lighting housing.



www.futlight.com  
Made in China

