

3/4 Channel 12-60V Constant Voltage Power Repeater

Model No.: EV3-H / EV4-H

3 or 4 Channel/12-60V/PWM signal input/Constant voltage output/3KV optoelectronic isolation



EV3-H

EV4-H

CE RoHS  LVD

Features

- 12-60V constant voltage power repeater.
- 3/4 channel, 5A max. per channel.
- To receive PWM signal control.
- Power repeater in series or in parallel to expand output unlimitedly.
- Apply to single color, dual color, RGB or RGBW constant voltage LED strip or module.

Technical Parameters

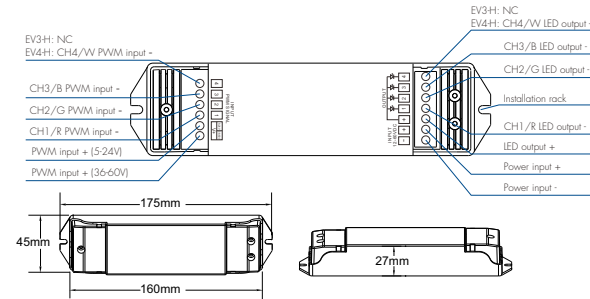
Input and Output	
Input voltage	12-60VDC
Input current	1.5A max. [EV3-H] 20A max. [EV4-H]
Input signal	PWM(3/4CH, 5-24V or 36-60V)
Output voltage	3/4 x [12-60]VDC
Output current	3/4CH, 5A max./CH
Output power	3/4 x [60-300]W max.
Output type	Constant voltage

Warranty and Protection	
Warranty	5 years
Protection	Reverse Polarity

Safety and EMC	
EMC standard (EMC)	EN301 489, EN 62479
Safety standard(LVD)	EN60950
Certification	CE, EMC, LVD

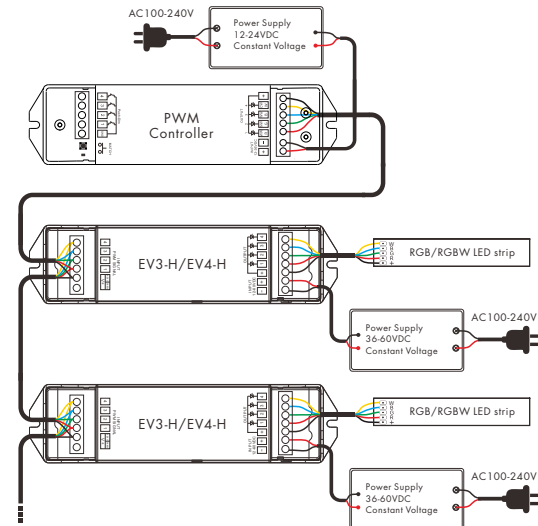
Environment	
Operation temperature	Ta: -30°C ~ +55°C
Case temperature (Max.)	Tc: +85°C
IP rating	IP20

Mechanical Structures and Installations

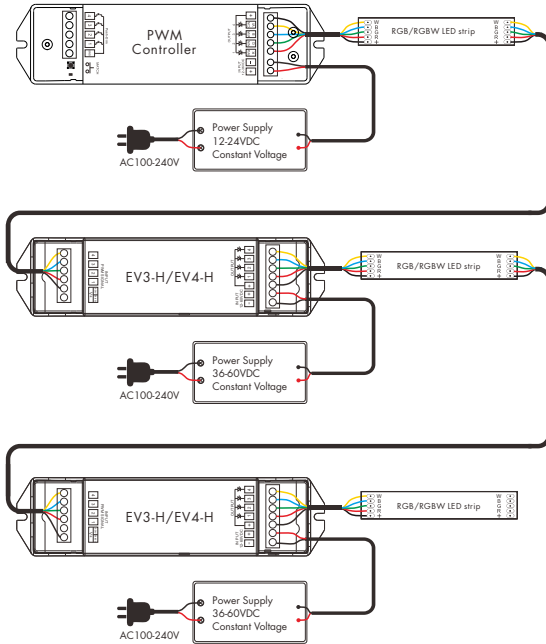


Wiring Diagram

- Parallel connection



- Series connection



NOTE: The PWM input can be 5-24V or 36-60V, please select correct V+ wire terminal.

Malfunctions analysis & troubleshooting

Malfunctions	Causes	Troubleshooting
No light	<ol style="list-style-type: none"> No power. Wrong connection or insecure. 	<ol style="list-style-type: none"> Check the power. Check the connection.
Wrong color	<ol style="list-style-type: none"> Wrong connection of R/G/B/W wires. 	<ol style="list-style-type: none"> Reconnect R/G/B/W wires.
Uneven intensity between front and rear, with voltage drop	<ol style="list-style-type: none"> Output cable is too long. Wire diameter is too small. Overload beyond power supply capability. Overload beyond controller capability. 	<ol style="list-style-type: none"> Reduce cable or loop supply. Change wider wire. Replace higher power supply. Add power repeater.

Safety & Warnings

- The product shall be installed and serviced by a qualified person.
- This product is non-waterproof. Please avoid direct sun, rain and high humid ambient.
- Good heat dissipation will prolong the working life of the controller, Please ensure good ventilation.
- Please check if the output voltage of any power supplies used comply with the working voltage of the product.
- Ensure all wire connections and polarities are correct and secure before applying power to avoid any damages to the LED lights.
- If a fault occurs please return the product to your supplier. Do not attempt to fix this product by yourself.