

EH-R

Sensor

PIR Induction Dimmer & Switch

- Ceiling mounting PIR motion detectors, built-in daylight sensor.
- Output 1 channel 0/1-10V signal, connect with 0/1-10V dimmable driver.
- High voltage AC input, High voltage AC relay output with zero-cross detection.
- Work as RF remote, output RF 2.4G signal, matched with RF LED controller or RF dimmable LED driver optional.
- Time delay and light threshold can be set via knob potentiometer.



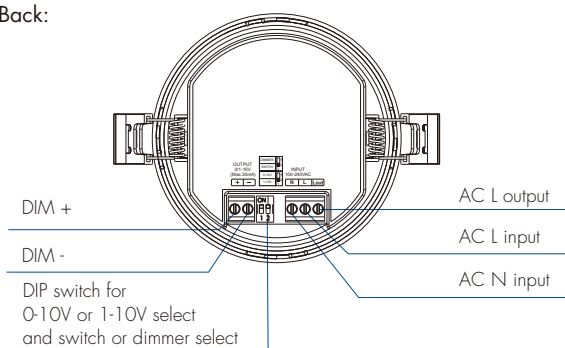
CE RoHS  RED

Technical Parameters

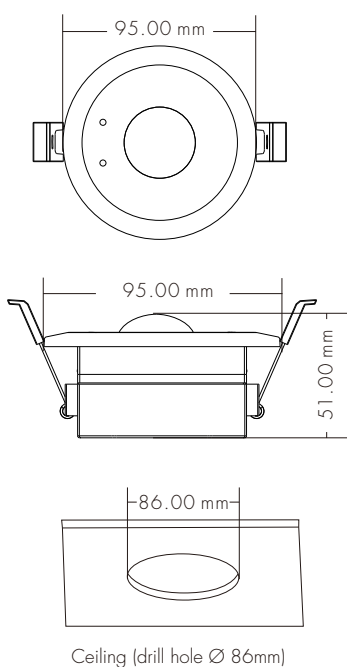
Working voltage	100-240VAC
Output signal	0/1-10V (Max.30mA), RF 2.4GHz
Output current	Max 4A (AC)
Power consumption	<1.3W(Operation)
Detection zone	Max.(DxH) 10 x 5m
Hold time	10s/30s/90s/3min/10min/30min/+∞
Stand-by time	0s/30s/90s/3min/10min/30min/+∞
Daylight threshold	10lux/30lux/50lux/100lux/150lux/200lux/Disable
Expected light	50lux/100lux/150lux/200lux/250lux/300lux/400lux
Mounting height	5m Max.
Detection angle	120° (ceiling installation)
Operation temperature	Ta: -20°C ~ +50°C
IP rating	IP20
Warranty	5 years

Mechanical Structures and Installations

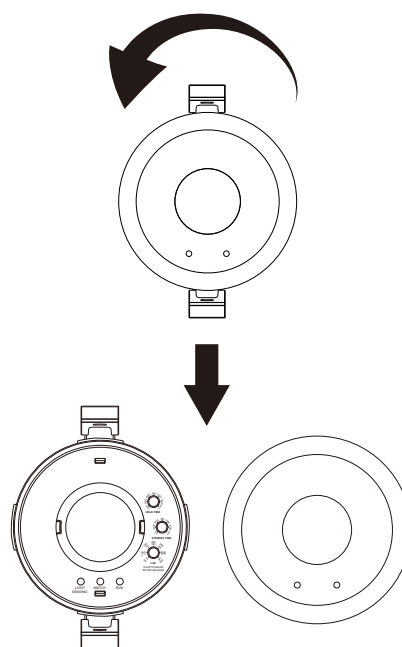
Back:



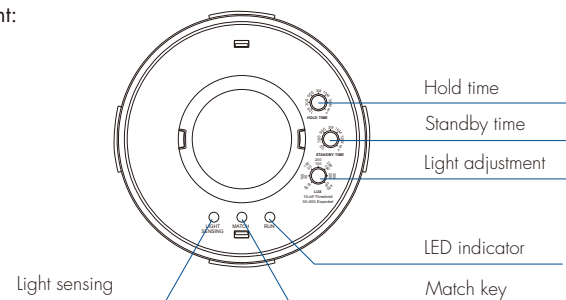
Dimension:



Disassemble:

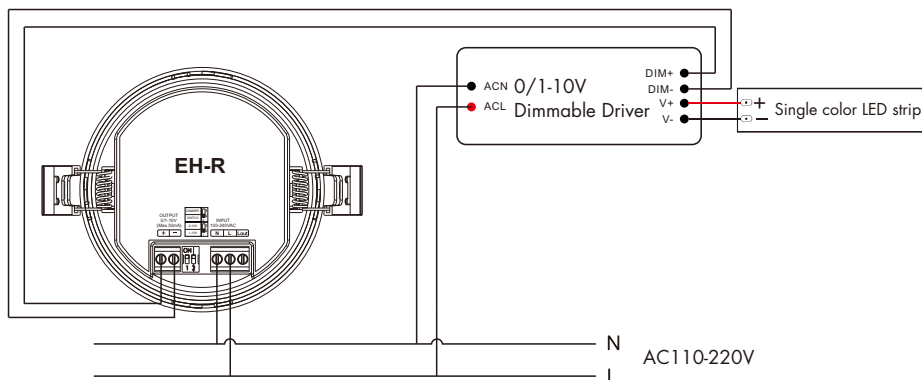


Front:

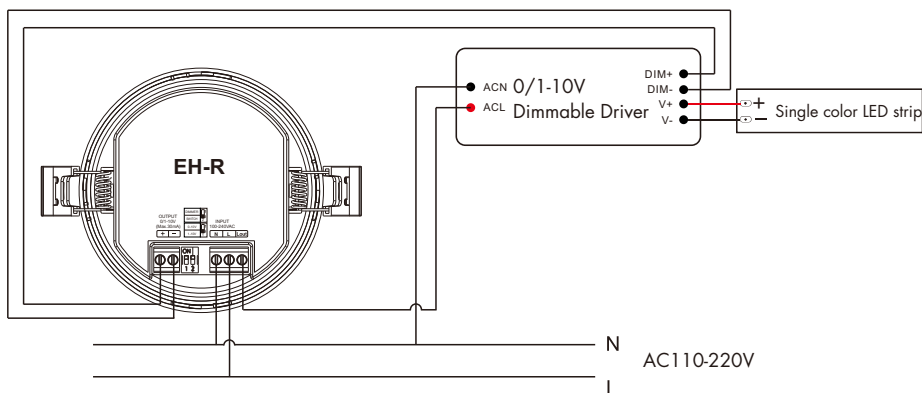


Wiring diagram

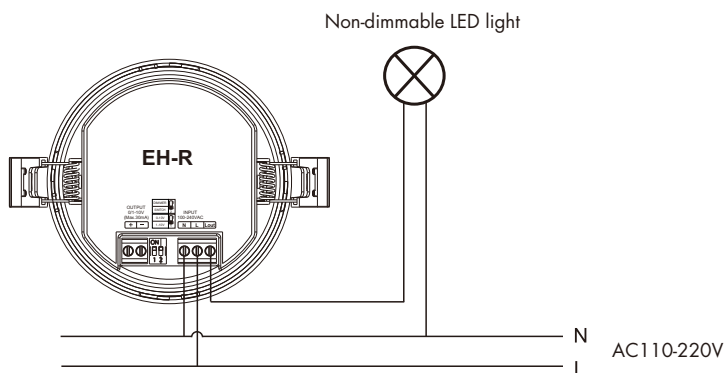
- Used as dimmer or switch, connect with 0/1-10V dimming driver (no use AC OUT)



- Used as dimmer or switch, connect with 0/1-10V dimming driver (use AC OUT)



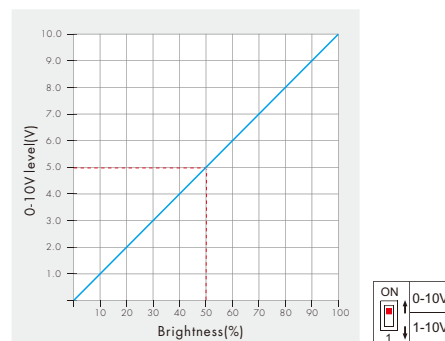
- Used as switch, connect with non-dimmable LED light (use AC OUT)



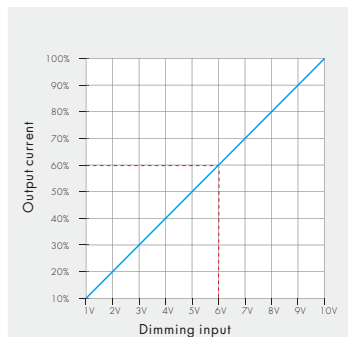
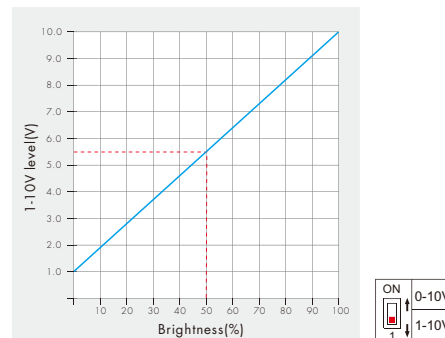
0-10V or 1-10V dimming setting

Select 0-10V dimmer or 1-10V dimmer according to dimmable LED driver.

0-10V Dimmer



1-10V Dimmer



Note:

When the output channel is off, the output dimming signal is 0V or 1V.
Please read the dimming section of the dimming driver manual.
If the dimming characteristic curve is the same as right, you must select 1-10V dimmer and use AC OUT function, otherwise you can't turn off the lights.

Work as RF Remote (two match ways)

The PIR induction Dimmer & Switch can be matched with one or multiple RF LED controller or RF dimmable LED driver, including single color, dual color, RGB, RGBW, RGB+CCT or switch light type, turn on or turn off light by motion detection. End user can choose the suitable match/delete ways. Two options are offered for selection:

Use the controller's Match key

Match:

Short press the match key of the controller, immediately press the match key of the PIR induction switch.

Delete:

Press and hold the match key of the controller for 5s to delete all match, The light blinks 5 times means all matched remotes were deleted.

Use Power Restart

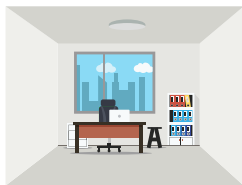
Match:

Switch off the power of the controller, then switch on power, repeat again. Immediately short press the match key of the PIR induction switch 3 times. The light blinks 3 times means match is successful.

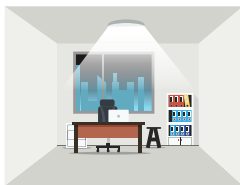
Delete:

Switch off the power of the controller, then switch on power, repeat again. Immediately short press the match key of the PIR induction switch 5 times. The light blinks 5 times means all matched remotes were deleted.

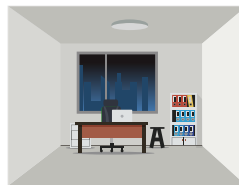
Turns on the light upon detection of motion, and turns off after a pre-selected hold time when there is no movement.



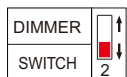
1. With sufficient ambient light, the sensor does not turn on the light.



2. With insufficient ambient light, the sensor turns on the light when motion is detected.



3. After hold time, the light turns off if no motion detected.



Select the DIP Switch 2 OFF to set as SWITCH type firstly, then select the combination on knob potentiometer for each specific application.



HOLD TIME

Hold time:

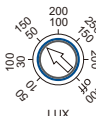
Refers to the time period remains light on state after no motion detected.



STANDBY TIME

Stand-by time:

Refers to the time period remains light on and dim to 20% brightness state after elapse of hold time if no new motion is detected. For the application of switches, must be 0s.



LUX

Daylight sensor:

The sensor can be set to only allow the lamp to illuminate when below a defined ambient brightness threshold.

When set to off(Disable) mode, the daylight sensor will switch on the lamp when motion is detected regardless of ambient light level.

50lux: twilight operation. 30 lux: evening operation. 10 lux: darkness operation.

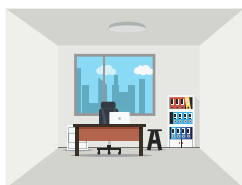
Note that daylight sensor is active only when lamp totally switches off, and the ambient lux level refers to internal light reaching the sensor.

Setting on this demonstration:

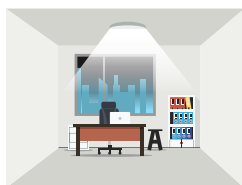
Hold time: 90S Stand-by time: 0S Daylight sensor: 50lux

Typical application 2: used as a switch with two-step dimming

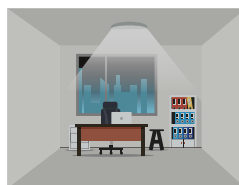
Turns on the light upon detection of motion, after a pre-selected hold time, dim to 20% brightness, and turns off after a pre-selected stand-by time when there is no movement.



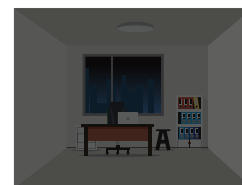
1. With sufficient ambient light, the sensor does not turn on the light.



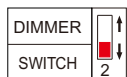
2. With insufficient ambient light, the sensor turns on the light and dim to 100% brightness when motion is detected.



3. After elapse of hold time, the sensor dim to 20% brightness if no new motion detected.



4. After elapse of stand-by time, the sensor turns off the light if no motion detected.



Select the DIP Switch 2 OFF to set as SWITCH type firstly, then select the combination on knob potentiometer for each specific application.



HOLD TIME

Hold time:

Refers to the time period remains light on and 100% brightness state after no motion is detected. For two-step dimming switch application, must be not +∞.



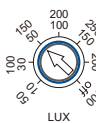
STANDBY TIME

Stand-by time:

Refers to the time period remains light on and dim to 20% brightness state after elapse of hold time if no new motion is detected.

For two-step dimming switch application, must > 0s.

If set +∞, the lights will stay on with 20% brightness.



LUX

Daylight sensor:

The sensor can be set to only allow the lamp to illuminate when below a defined ambient brightness threshold.

When set to off(Disable) mode, the daylight sensor will switch on the lamp when motion is detected regardless of ambient light level.

50lux: twilight operation. 30 lux: evening operation. 10 lux: darkness operation.

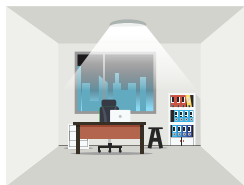
Note that daylight sensor is active only when lamp totally switches off, and the ambient lux level refers to internal light reaching the sensor.

Setting on this demonstration:

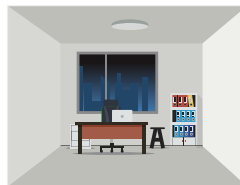
Hold time: 90S Stand-by time: 3 min Daylight sensor: 50lux

Typical application 3: used as a dimmer

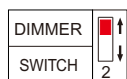
Turns on the light and dim up to expected brightness level upon detection of motion, and turns off after a pre-selected hold time when there is no movement.



1. The sensor turns on the light and dim up to expected brightness level when motion is detected.



2. After hold time, the light turns off if no motion detected.



Select the DIP Switch 2 ON to set as DIMMER type firstly, then select the combination on knob potentiometer for each specific application.



HOLD TIME

Hold time:

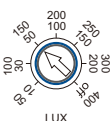
Refers to the time period remains light on state after no motion detected.
If set $+\infty$, the lights will stay on.



STANDBY TIME

Stand-by time:

Refers to the time period remains light on and dim to 20% brightness state after elapse of hold time if no new motion is detected.
For dimmer application, must be 0s.



LUX

Daylight sensor:

The sensor can be set to allow the lamp to illuminate to expected brightness level.
If the detected brightness is less than the expected brightness, the output will dim up to full brightness(100%).
If the detected brightness is larger than the expected brightness, the output will dim down to min brightness(1%).
Note that daylight sensor is active only when lamp switches on, and the ambient lux level refers to internal light reaching the sensor.

Setting on this demonstration:

Hold time: 90S Stand-by time: 0S Daylight sensor: 150lux

Notice for installation of PIR sensor

1. If the sensor is exposed to direct sunlight, interference signal will be introduced.
2. The sensor should be installed in a dry environment and keep away from windows, air conditioner and fans.
3. Make sure that the sensor stays away from heat source, such as countertops, kitchen appliances which generate hot steam, walls and windows in direct sunlight, air conditioner, heating, refrigerators, stoves and so on.
4. There should not be shelter(screen, furniture, large bonsai) within the range of detection.