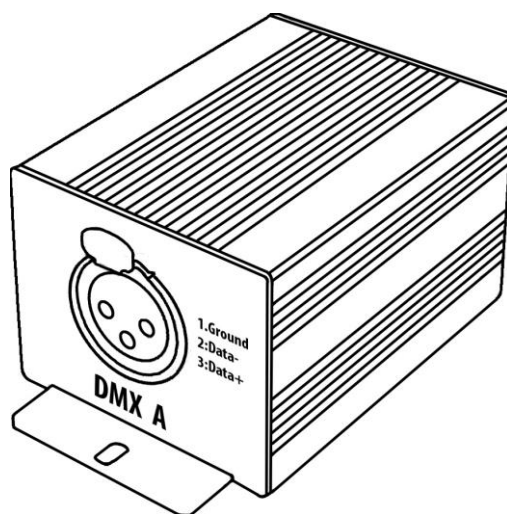


INTERFACES USB-DMX

128 CHANNELS



V.1.1.0.6



SUMMARY

512 Channel USB to DMX interfaces	3
Hardware technical specifications.....	3
Dimensions of the interface	4
Front face.....	4
Rear face	4
Bottom face	5
Multiple USB devices connections	6
Standard DMX 128 installation	7
Recommended DMX 128 installation	7

512 CHANNEL USB TO DMX INTERFACES

HARDWARE TECHNICAL SPECIFICATIONS

Input	USB 2.0 via Mini USB
Number of DMX Outputs	up to 128 on 3 pin XLR (XLR5 optional)
DMX Speed	1 to 45 Hz, MaB, Bk
Stand Alone Mode	Yes, 128 channels, fine DMX channels (16 bits)
Internal Memory	Yes (40 Kb)
Memory Capacity	2600 steps with 16 ch., 650 steps with 64 ch., 325 steps with 128 ch.
Infra-red Receiver	Yes, (IR remote control for triggers available in option)
Infra-red Options	10 scene selection, scene speed, general dimmer and next scene
Dry Contact Triggers	Yes (4 contacts port)
Next Scene Trigger Button	Yes
Power Supply Input	5V via USB
High voltage Protection	Yes
Housing	Strong Aluminum
Infre-Red remote	No
Usb Mode	Yes
Display of signal states	USB LED
Power	2 W
CPU's technology	32 bits
Dimensions	H : 40mm(1.57in) / W : 50mm(1.97in) / D : 78mm (3.07in)
Weight	0.115Kgs
Color	Black
IP rating	IP20
Place of Use	Indoor
Storage	Keep in dry place
Compatibility	8 and 16 bits DMX fixtures
Operating Temperature	- 25 to +70 C°
Certifications	CE, RoHS, Fcc
International Warranty	Yes, 1 year

Software features:

LED Player	128 channels, stand alone, No Audio Beat, 20 Scenes and 20 Programs in Live Board
Studio DMX 3D viewer	Demo mode, 20 object / 20 fixtures max., 192 channels max.
Pro DMX	No
Art-Net Output from PC	No
Wi-Light 2016 App	Yes, can control the LED Player Live Board with a WIFI connection
System Compatibility	Windows, MAC Os X (10.6 and higher) and Linux (64 Bits)
Free Software Updates	Yes

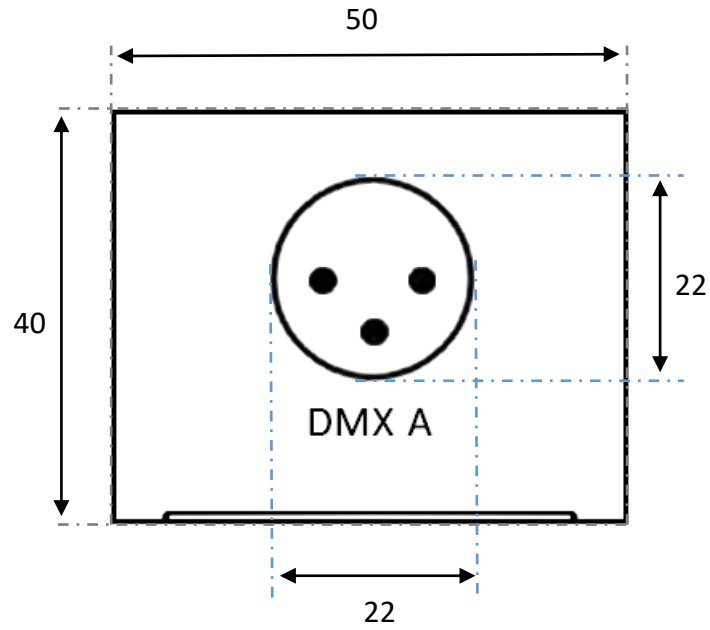
Package Content:

Small package + 1 USB cable + 1 USB to DMX Interface (3 Pin XLR, 5 pins in option)

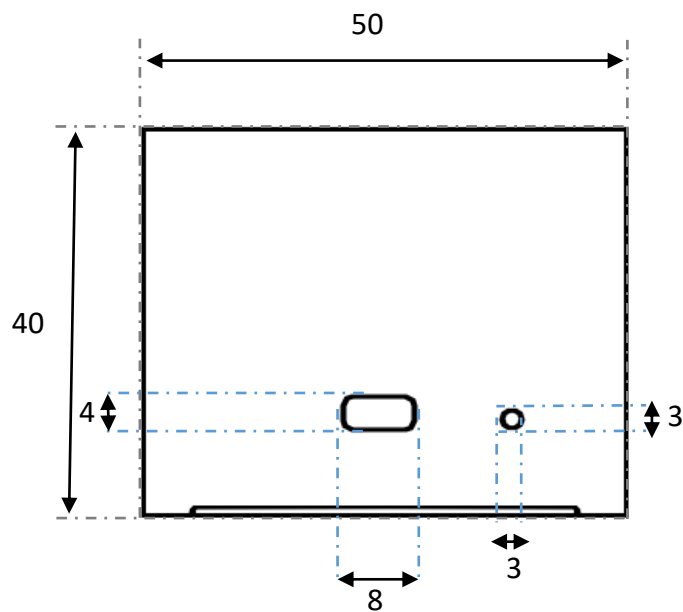
DIMENSIONS OF THE INTERFACE

The metric system is used. The unit is mm.

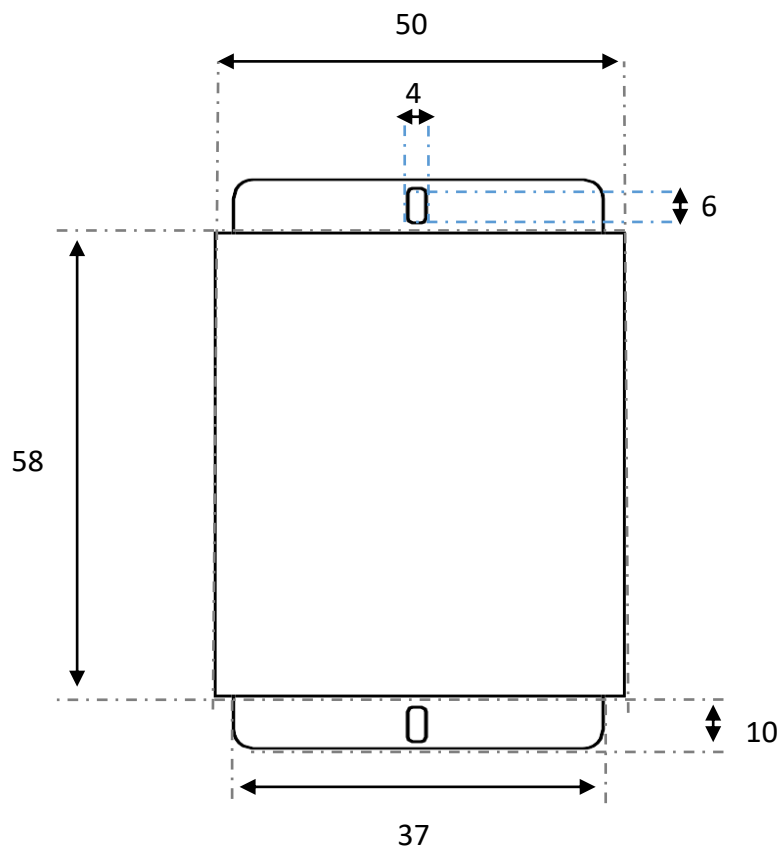
FRONT FACE



REAR FACE

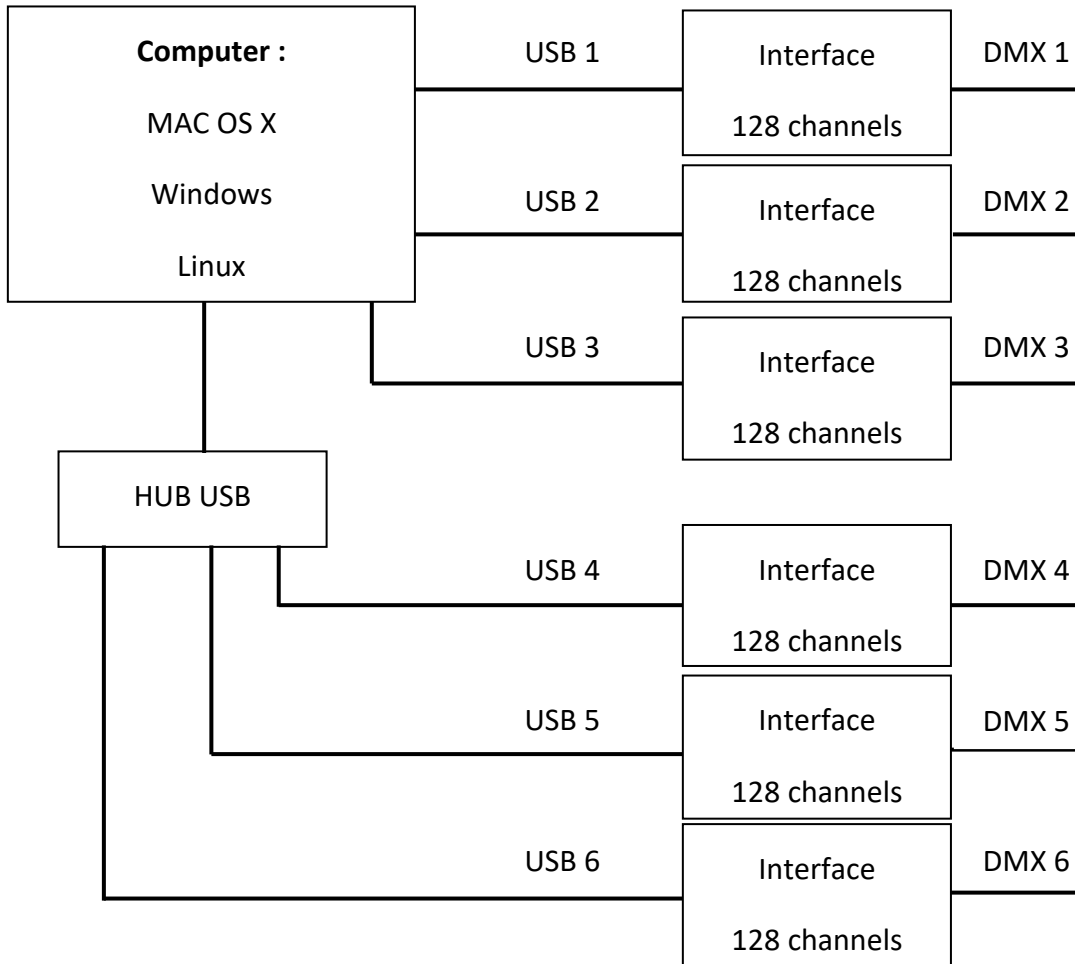


BOTTOM FACE

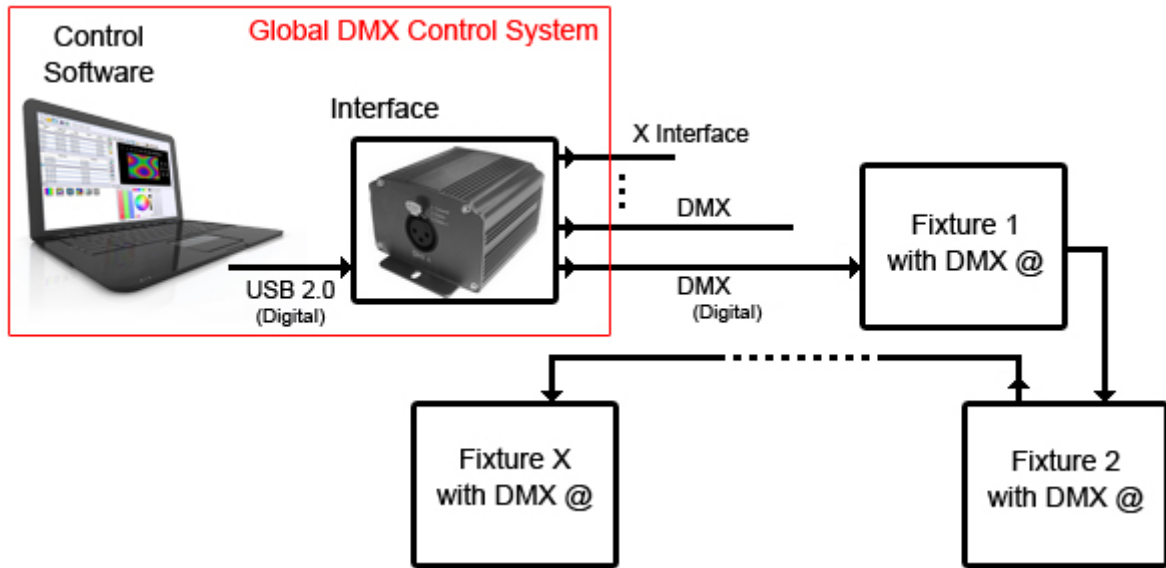


MULTIPLE USB DEVICES CONNECTIONS

Example of Multiple interface connections



STANDARD DMX 128 INSTALLATION



RECOMMENDED DMX 128 INSTALLATION

