

TL-K(WZ) Rotary Glass Panel ZigBee 0/1-10V Dimmer

- Output 1 channel of 0/1-10V signal to control 0/1-10V dimmable LED driver.
- Rotate knob to change brightness, support push and long push operation.
- Tuya smart APP cloud control, support on/off, brightness adjust, delay turn on/off light, timer run, scene edit function.
- Philips HUE APP control via Philips Bridge.
- Voice control, support for Amazon Alexa, Google Assistant, Tmall Genie and Xiaodu voice assistant.
- High surge specification relay switch output, with over-zero detection function.
- White or black glass panel available.

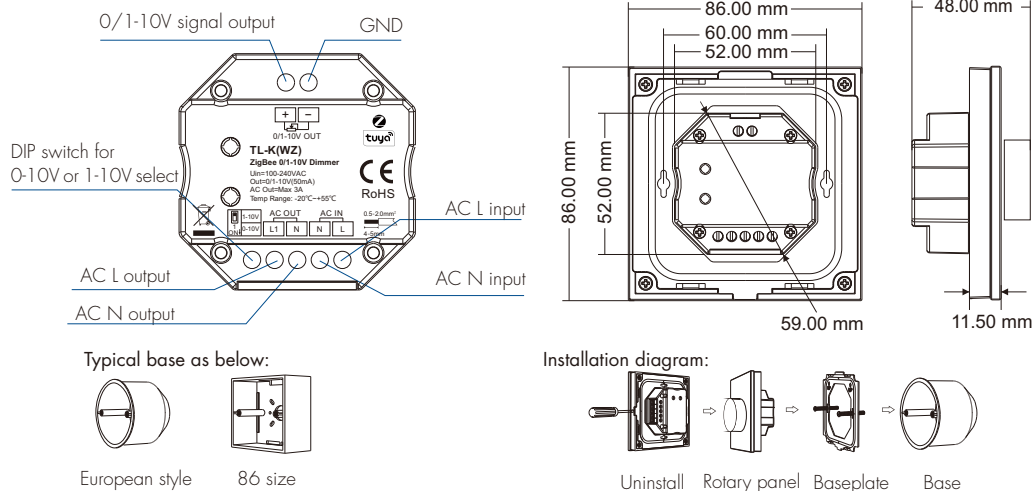


CE RoHS

Technical Parameters

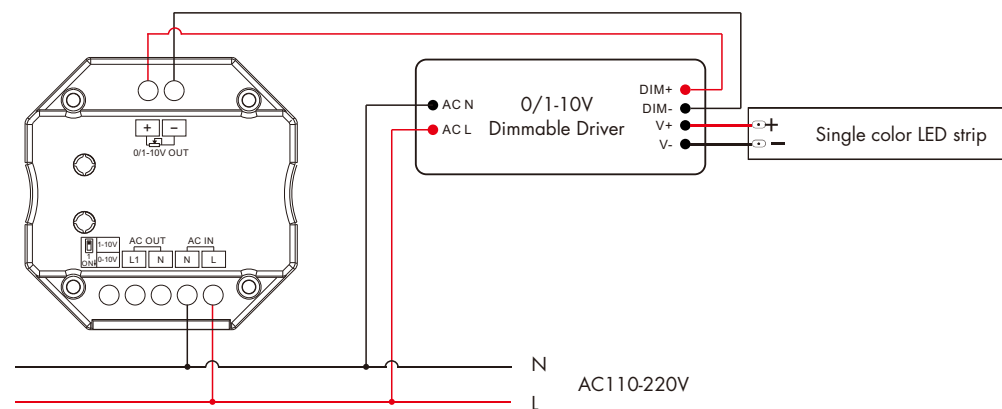
Input and Output		Dimming data		Safety and EMC	
Input voltage	AC100-240V	Input signal	ZigBee + Rotary knob	EMC standard	EN IEC 55015 EN IEC 61547 ETSI EN 301 489-1/-3
Output signal	0/1-10V (50mA)	Dimming level	256 levels	Safety standard	EN 61347-1/-2
Output current	Max 3A (AC)	Dimming range	0-100%	Radio Equipmen	ETSI EN 300 440
Relay surge current	200A	Environment		Certification	CE RoHS
Package		Operation temperature	Ta: -20°C~ +55°C	Warranty	
Size	L112 xW112 x H60mm	Case temperature (Max.)	Tc: +65°C	Warranty	5 years
Gross weight	0.245kg	IP rating	IP20		

Mechanical Structures and Installations

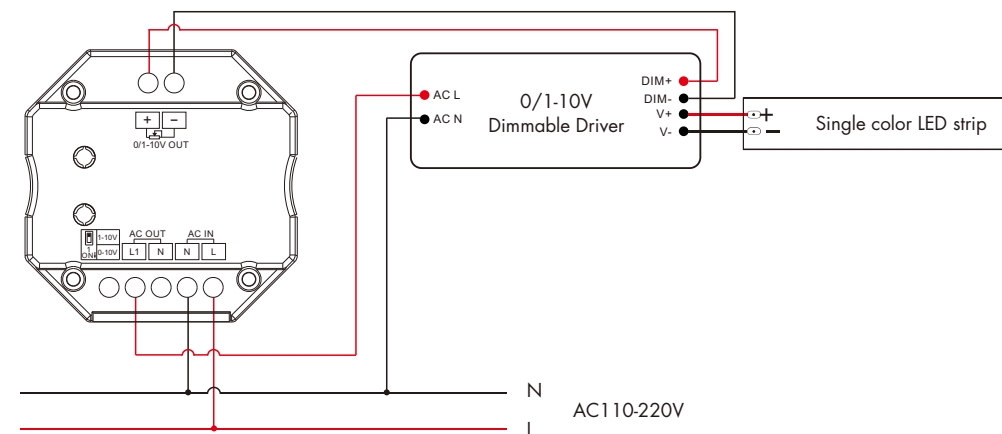


Wiring Diagram

- Connect with 0/1-10V dimmable driver (no use AC OUT)



- Connect with 0/1-10V dimmable driver (use AC OUT)



Note:

1. We recommend the number of LED drivers connected to 0/1-10V dimmer does not exceed 100 pieces, The maximum length of the wires from dimmer to LED driver should be no more than 50 meters.
2. The MAX. surge current of the AC OUT is 200A. When connecting multiple capacitive (LED power supplies) or inductive loads, the sum of the surge currents can not exceed its maximum value. Otherwise, long-term use may cause product damage.