

Wall Mounted Rotary Panel



Model No.: T11-D

Single color dimming/Glass panel/Rotary dimming/AC input/DMX 512 and RF 2.4G signal output



CE RoHS  LVD

Features

- Rotary panel single color DMX512 master, can also be used as one zone RF remote.
- DMX signal output, comply to standard DMX512 protocol, compatible with DMX decoder from any supplier.
- When work as DMX512 master, compatibility with Skydance's 2.4G single zone or multiple zone dimming remote control.
- When used as RF remote, can remote control multiple Skydance's 2.4G LED controllers.
- Rotate knob to change brightness.
- 256 levels 0-100% dimming smoothly without any flash.
- Push/Rotate with chord tones and LED indicator.

Technical Parameters

Input and Output	
Input voltage	85-265VAC
Input current	Max 0.1A
Output signal	DMX512, RF 2.4GHz

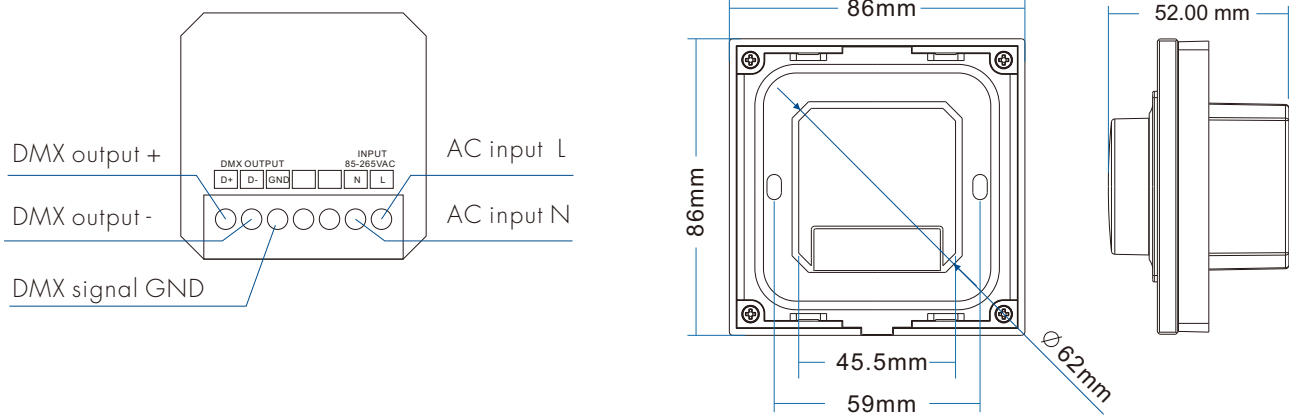
Safety and EMC	
EMC standard (EMC)	EN301 489,EN 62479
Safety standard(LVD)	EN60950
Radio Equipment(RED)	EN300 328
Certification	CE,EMC,LVD,RED

Warranty	
Warranty	5 years

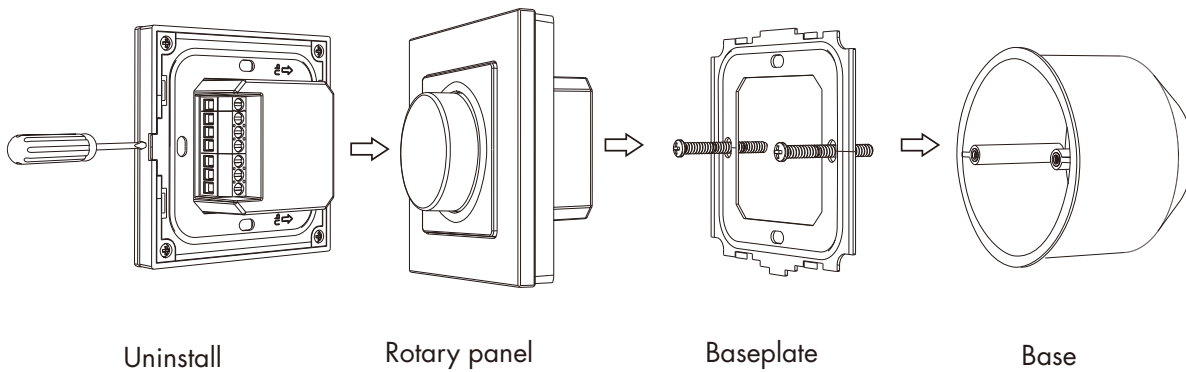
Dimming data	
Input signal	Rotary knob + RF 2.4GHz
RF Control distance	30m
Dimming level	256 levels
Dimming range	0-100%

Environment	
Operation temperature	Ta: -30 °C ~ +55 °C
Case temperature (Max.)	Tc: +85 °C
IP rating	IP20

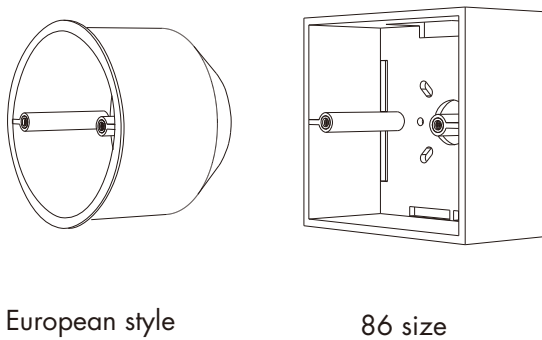
Mechanical Structures and Installations



Installation diagram:



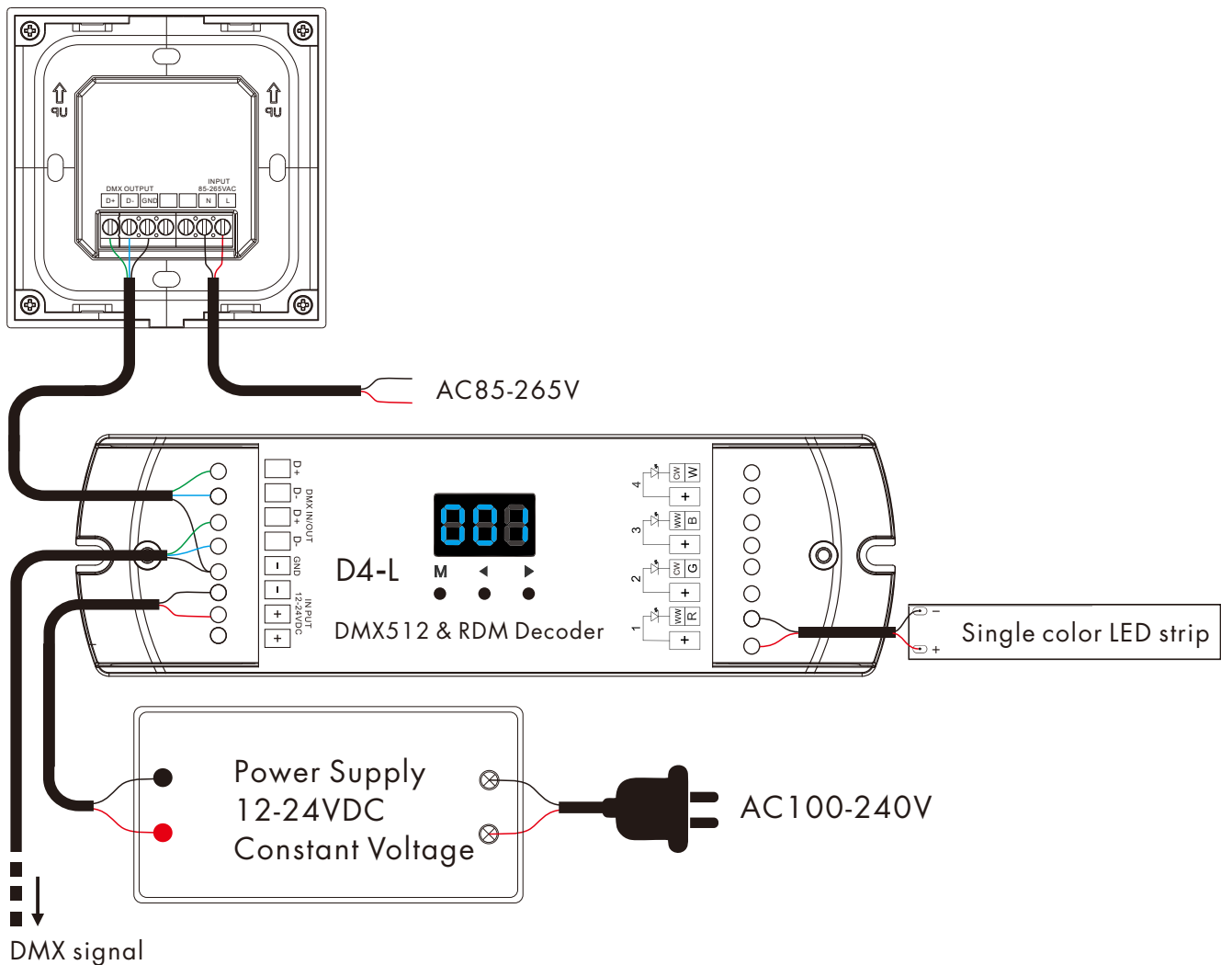
Typical base as below:



Knob function

- Push: Turn on or off light.
- After turn on light:
- Rotate: Rotate knob to adjust brightness, 2.5 turns, 50 levels.
 - Long push(1-6s): Continuous 256 levels brightness adjustment.

Wiring Diagram for rotary panel work as DMX512 master



When the rotary panel controller work as DMX512 master, it can also match with the RF remote (optional). End user can choose the suitable match/delete ways. Two options are offered for selection:

Use Knob

Match:

Turn on light, turn off, immediately push the knob for 5s, then press on/off key (single zone remote) or zone key (multiple zone remote) of the RF remote within 5s.

Delete:

Turn on light, turn off, immediately push the knob for 10s, delete all matched RF remote.

Use Power Restart

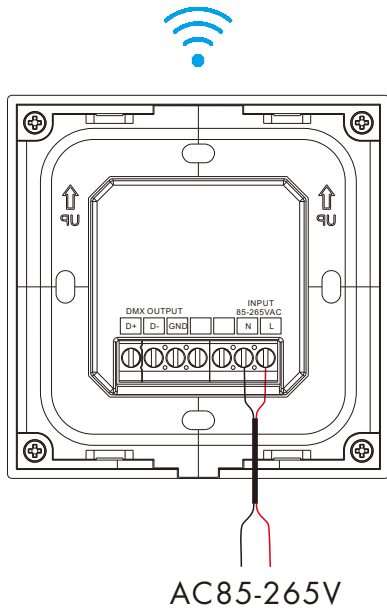
Match:

Switch off the power, then switch on power again, immediately short press on/off key (single zone remote) or zone key (multiple zone remote) 3 times on the remote.

Delete:

Switch off the power, then switch on power again, immediately short press on/off key (single zone remote) or zone key (multiple zone remote) 5 times on the remote.

Wiring Diagram for rotary panel work as RF remote



When the rotary panel controller work as RF remote, it need match with other Skydance's 2.4G LED controllers. End user can choose the suitable match/delete ways. Two options are offered for selection:

Use the controller's Match key

Match:

Short press match key, immediately short press the knob of the rotary panel.

Delete:

Press and hold match key for 5s to delete all match,

The light blinks 5 times means all matched remotes were deleted.

Use Power Restart

Match:

Switch off the power of the receiver, then switch on power again, immediately short press the knob 3 times on the rotary panel.

The light blinks 3 times means match is successful.

Delete:

Switch off the power of the receiver, then switch on power again, immediately short press the knob 5 times on the rotary panel.

The light blinks 5 times means all matched remotes were deleted.