

T15

DMX512

Wall Mounted Touch Panel

- Touch panel 4 zone RGB+CCT DMX512 master, can also be used as 4 zone RGB+CCT RF remote.
- DMX signal output, comply to standard DMX512 protocol, compatible with DMX decoder from any supplier.
- When used as RF remote, each zone can remote control multiple RF 2.4G LED controllers.
- Ultra sensitive high strength glass touch panel with touch color wheel in the middle.
- Smooth and accurate color adjustment by touching the color wheel.
- Touch keys with LED indicator.
- White & Black glass panel available.

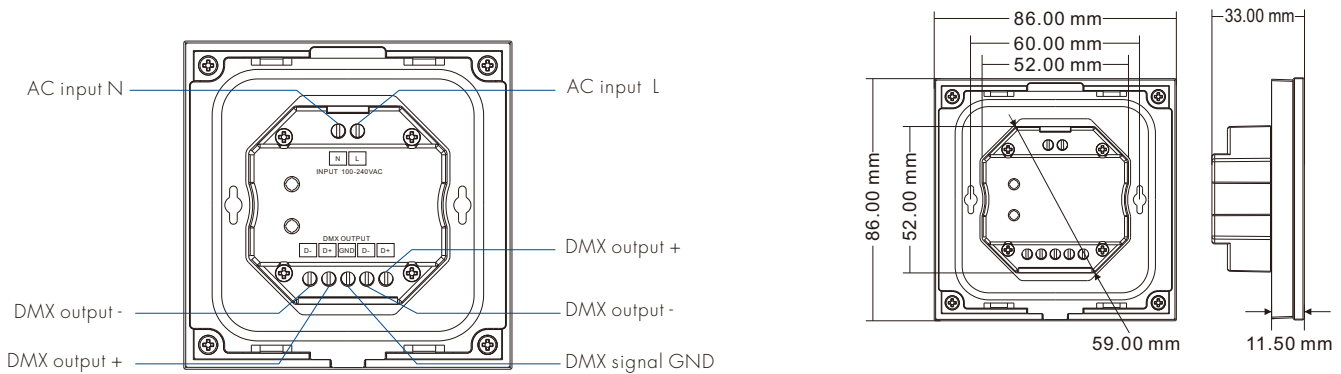


CE RoHS LVD

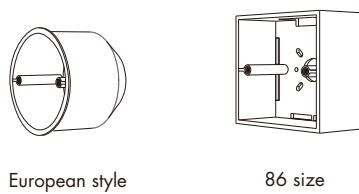
Technical Parameters

Input and Output		Dimming data		Safety and EMC	
Input voltage	100-240VAC	Input signal	Touch key + RF 2.4GHz	EMC standard (EMC)	ETSI EN 301 489-1 V2.2.3 ETSI EN 301 489-17 V3.2.4
Input current	Max 0.1A	RF Control distance	10m(Barrier-free space)	Safety standard	EN 62368-1:2020+A11:2020
Output signal	DMX512, RF 2.4GHz	Dimming level	256 levels	Radio Equipment(RED)	ETSI EN 300 328 V2.2.2
Environment		Dimming range	0-100%	Certification	CE,EMC,RED
Operation temperature	Ta: -30°C ~ +55°C	Package		Warranty	
Case temperature (Max.)	Tc: +65°C	Size	L112 x W112 x H50mm	Warranty	5 years
IP rating	IP20	Gross weight	0.234kg		

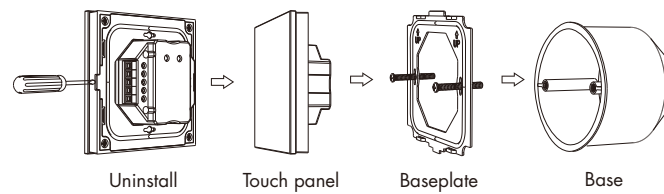
Mechanical Structures and Installations



Typical base as below:

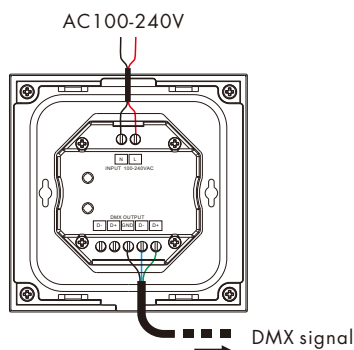


Installation diagram:

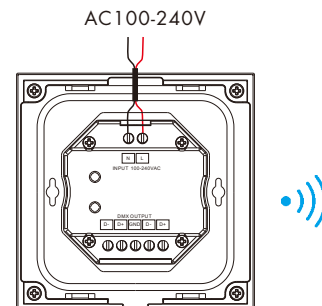


Wiring Diagram

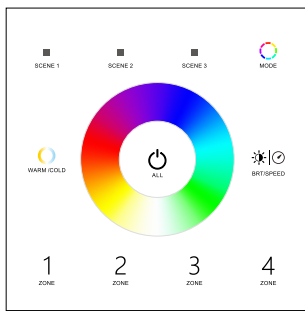
- Touch panel work as DMX512 master



- Touch panel work as RF remote



Key function



- Turn on/off all zone light.
- Color wheel.
- Short press play 10 built-in dynamic mode, long press 2s run mode-cycle.
- Adjust dynamic mode speed or static color brightness, 10 levels.
- Adjust color temperature, 11 levels.
- 3 scenes, short press recall the scene, long press 5s save current brightness into scene 1/2/3.

- Short press turn on zone light and select zone simultaneously, long press 2s turn off zone light. Short press multiple zone key fastly, will select multiple zone synchronously. 4 zone control separately or synchronously, each zone could control multiple receivers.

Turn on key tone: Long press power key for 5s when all zone light is off, will turn on or turn off key tone.

Scene locking:

- Scene keys can be set to locked state, cancel long press for 5 seconds to save the scene function (default scene is not locked).
- Short press the panel on/off key, turn on the light first, then turn off the light, immediately long press the panel on/off key for 5 seconds, then immediately long press any one scene key for 5 seconds to set all scene keys to locked state.
- Short press the panel on/off key, turn on the light first, then turn off the light, immediately long press the panel on/off key for 5 seconds, then immediately long press any one scene key for 10 seconds to restore all scene keys to unlocked state.

Touch Panel work as DMX512 Master

After connect with DMX decoders, please set the DMX decoders address as below:

DMX address	Light color channel				
	R	G	B	WW	CW
Zone 1 DMX decoder's address	1	2	3	4	5
Zone 2 DMX decoder's address	6	7	8	9	10
Zone 3 DMX decoder's address	11	12	13	14	15
Zone 4 DMX decoder's address	16	17	18	19	20

Touch Panel work as RF remote

Touch panel 4 zone remote can match with RGB+CCT (or single color, dual color, RGB) light type RF controller.

End user can choose the suitable match/delete ways. Two options are offered for selection:

Use the controller's Match key

Match:

Short press match key, immediately press zone key of the touch panel.

The LED indicator fast flash a few times means match is successful.

Delete:

Press and hold match key for 5s to delete all match,

The LED indicator fast flash a few times means all matched remotes were deleted.

Use Power Restart

Match:

Switch off the power of the receiver, then switch on power, repeat again.

Immediately short press zone key 3 times on the touch panel.

The light blinks 3 times means match is successful.

Delete:

Switch off the power of the receiver, then switch on power, repeat again.

Immediately short press zone key 5 times on the touch panel.

The light blinks 5 times means all matched remotes were deleted.

Dynamic mode list

No.	Name	No.	Name
1	RGB jump	6	RGB fade in and out
2	RGB smooth	7	Red fade in and out
3	6 color jump	8	Green fade in and out
4	6 color smooth	9	Blue fade in and out
5	Color temperature smooth	10	White fade in and out