

SA6



6 Way SPI Signal Splitter

- 1 group SPI signal input, 6 group SPI signal output.
- Amplification and expansion of SPI (TTL) signals.
- Used with SPI controller, applied to synchronous control multiple SPI digital RGB or RGBW LED strips.

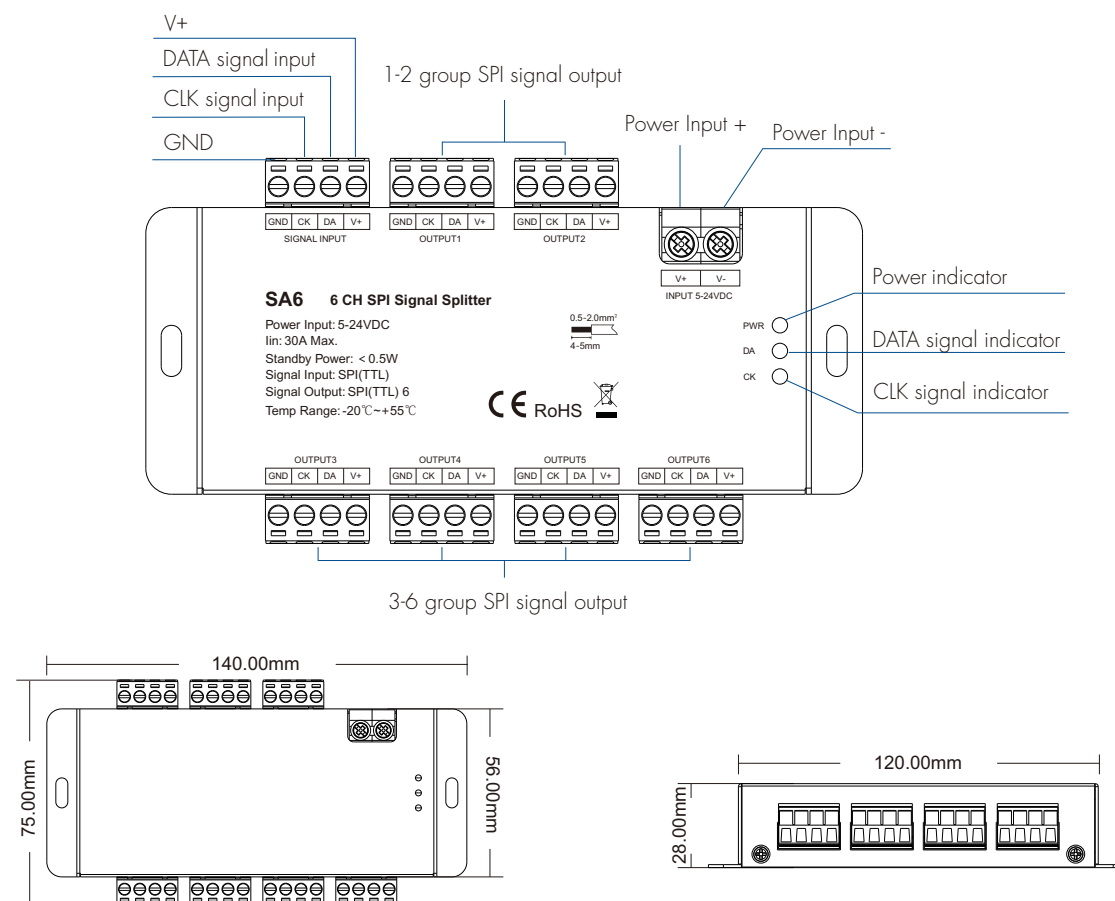


CE RoHS LVD

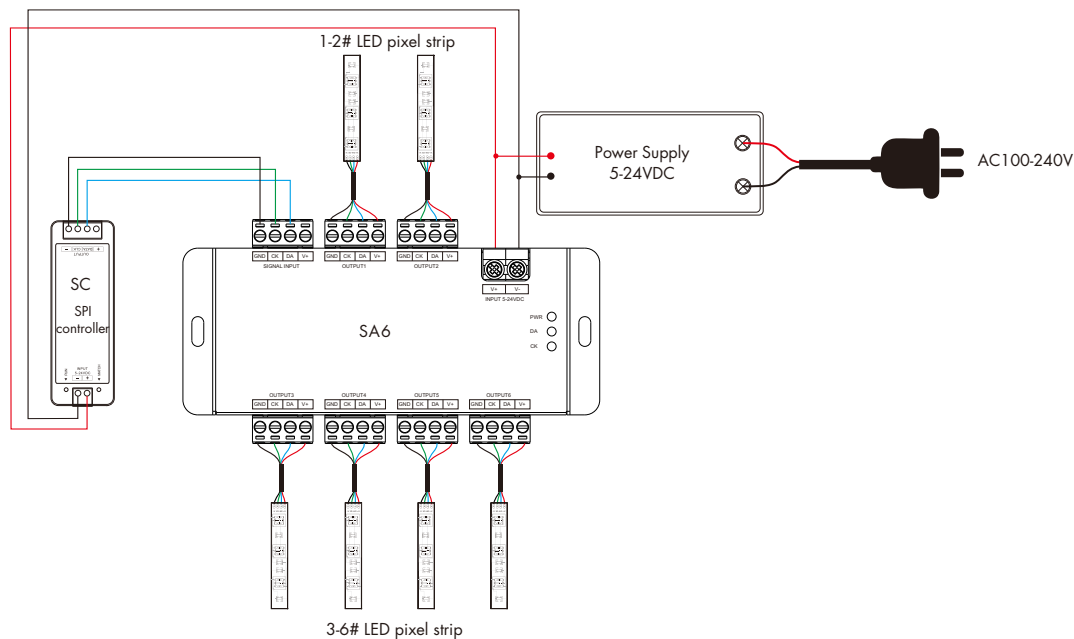
Technical Parameters

| Input and Output | | Environment | | Safety and EMC | |
|------------------|---------------------------|------------------------|--------------------|--------------------------------|---|
| Input voltage | 5-24VDC | Operation temperature | Ta: -20°C ~ +55°C | EMC standard (EMC) | ETSI EN 301 489-1 V2.2.3 ETSI EN 301 489-17 V3.2.4 |
| Input Current | Max. 30A | Case temperature(Max.) | Tc: +65°C | Safety standard | EN 62368-1:2020+A11:2020 |
| Standby power | <0.5W | IP rating | IP20 | Certification | CE,EMC,LVD |
| Input signal | 1 group SPI (TTL) signal | Package | | Warranty and Protection | |
| Output signal | 6 group SPI (TTL) signals | Size | L145 x W75 x H35mm | Warranty | 5 years |
| | | Gross weight | 0.26kg | Protection | Reverse Polarity |

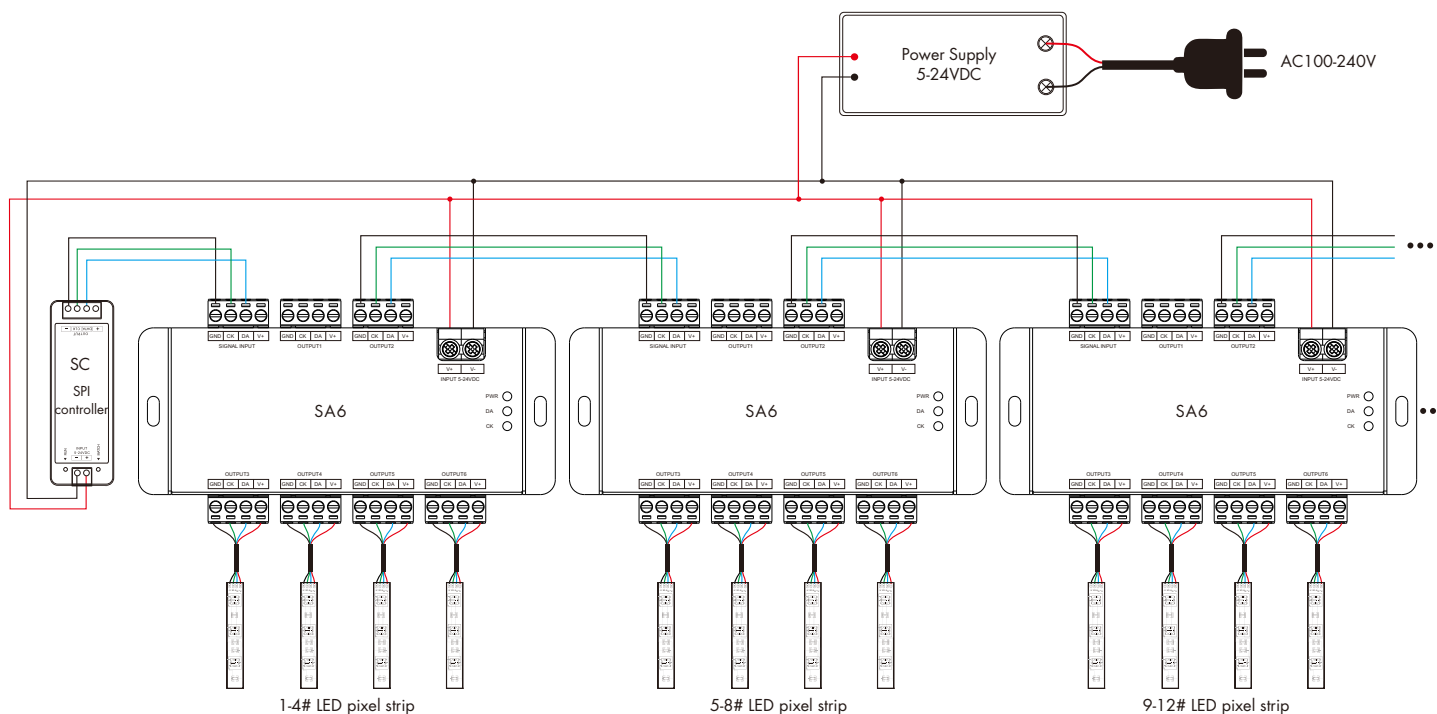
Mechanical Structures and Installations



- Connect with one SA6



- Connect with more than one SA6



- Note:**
1. The SA6 signal splitter is powered up, the power indicator (PWR) is always light up red.
 2. When the DATA signal is received, DATA signal indicator (DA) blinks blue continuously. When the signal is disconnected, the indicator does not light up.
 3. When the CLK signal is received, CLK signal indicator (CK) blinks blue continuously. When the signal is disconnected, the indicator does not light up.
 4. If the SPI LED pixel strip is single-wire control, the DATA and CLK output is same, one SPI output port can connect 2 LED strips, each SA6 can connect up to 12 LED strips.
 5. If the SPI LED pixel strip is two-wire control, one SPI output port connect 1 LED strips, each SA6 connect up to 6 LED strips.
 6. When the SPI LED pixel strip is overpowered, the LED pixel strip needs to be powered by other power supplies.
Only DATA/CLK and GND cables are connected between the signal splitter and the LED pixel strip.