

Wall Mounted Touch Panel

Model No.: T16, T16-1, T16-2, T16-3

1-4 Zone dimming switch/Glass touch panel/AC input/DMX 512 and RF 2.4G signal output



CE RoHS  LVD RED

Features

- Touch panel 1/2/3/4 zone dimming DMX512 master, can also be used as 4 zone dimming RF remote.
- DMX signal output, comply to standard DMX512 protocol, compatible with DMX decoder from any supplier.
- When used as RF remote, each zone can remote control multiple RF 2.4G LED controllers.
- Ultra sensitive high strength glass touch panel.
- Touch keys with LED indicator.
- White & Black glass panel available.

Technical Parameters

Model No.	T16-1	T16-2	T16-3	T16
Control zone number	1	2	3	4
Output DMX channel number	1	2	3	4

Input and Output	
Input voltage	100-240VAC
Input current	Max 0.1A
Output signal	DMX512, RF 2.4GHz

Dimming data	
Input signal	Touch key + RF 2.4GHz
RF Control distance	30m
Dimming level	256 levels
Dimming range	0-100%

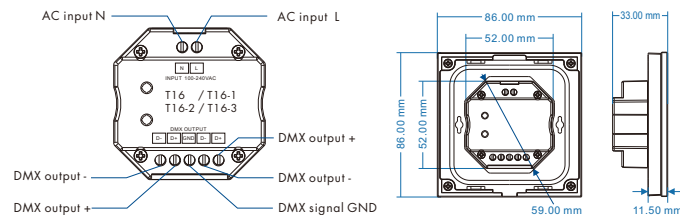
Safety and EMC	
EMC standard (EMC)	EN301 489, EN 62479
Safety standard(LVD)	EN60950
Radio Equipment(REDE)	EN300 328
Certification	CE, EMC, LVD, RED

Warranty	
Warranty	5 years

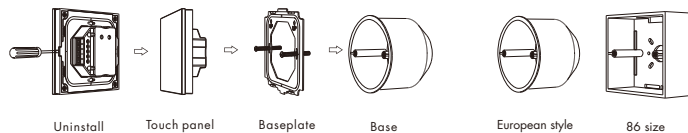
Environment	
Operation temperature	Ta: -30°C ~ +55°C
Case temperature (Max.)	Tc: +65°C
IP rating	IP20

Weight	
Net weight	0.180kg
Gross weight	0.237kg

Mechanical Structures and Installations

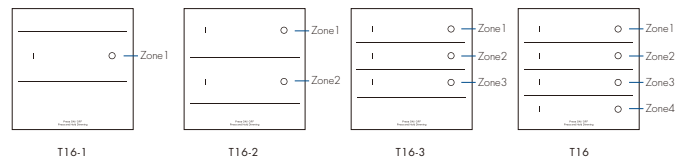


Installation diagram:



Typical base as below:

Key function



I — ON key

Short press: Turn on the light of each zone.
Long press(1-6s): Dimming up when light is on.

O — OFF key

Short press: Turn off the light of each zone.
Long press(1-6s): Dimming down when light is on.

Turn on key tone: Long press OFF key 5s when zone light is off, will turn on or turn off key tone.

Touch Panel work as DMX512 Master

After connect with DMX decoders, please set the DMX decoders address as below:

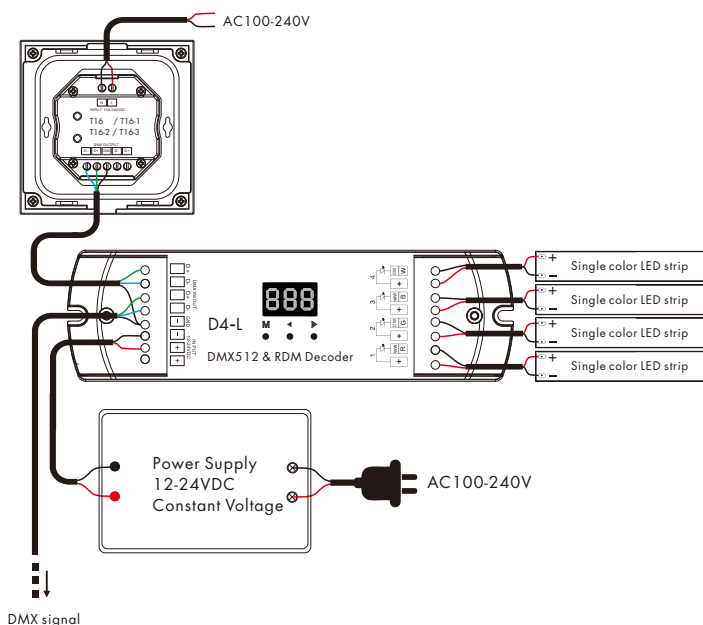
DMX decoder's address 001 is controlled by Zone 1,

DMX decoder's address 002 is controlled by Zone 2,

DMX decoder's address 003 is controlled by Zone 3,

DMX decoder's address 004 is controlled by Zone 4.

Wiring Diagram for touch panel work as DMX512 master



Touch Panel work as RF remote

When the touch panel work as RF remote, it need match with other RF 2.4G LED controllers.

End user can choose the suitable match/delete ways. Two options are offered for selection:

Use the controller's Match key

Match:

Short press match key, immediately press ON key of the touch panel.

The LED indicator fast flash a few times means match is successful.

Delete:

Press and hold match key for 5s to delete all match, The LED indicator fast flash a few times means all matched remotes were deleted.

Use Power Restart

Match:

Switch off the power of the receiver, then switch on power again, immediately short press ON key 3 times on the touch panel. The light blinks 3 times means match is successful.

Delete:

Switch off the power of the receiver, then switch on power again, immediately short press ON key 5 times on the touch panel. The light blinks 5 times means all matched remotes were deleted.

Wiring Diagram for touch panel work as RF remote

