

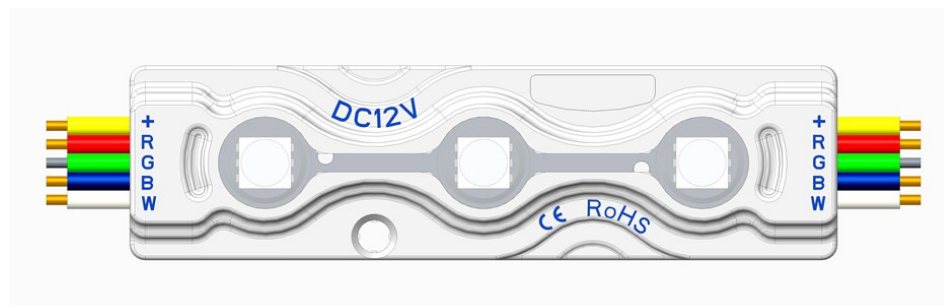
### ◆ Features:

- Built-in lens 120°
- Chain of 20 pcs.
- IP 67 sealed, injection molded
- Internal current stabilization (CC)
- Built-in heat sink plate
- 5 years warranty

### ◆ Usage:

- Letters of light
- Advertising boxes with a depth of 8-25 cm
- POS systems
- Backlighting of furniture

### ◆ Photos:

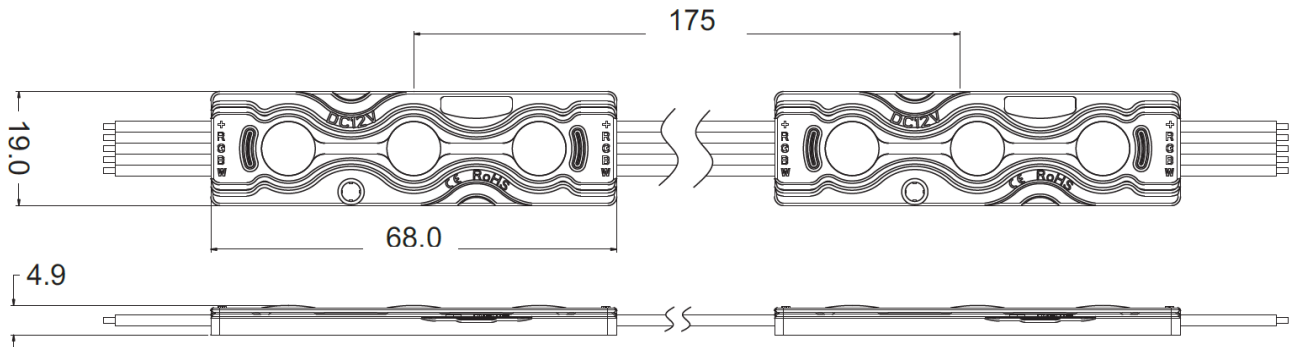




# MW-MLD-5050-3RGBW

Power	Rated voltage	12Vdc +/- 5%
	Power consumption	0.96W
	Current consumption of one module	0.08A
	Power consumption of chain	19,2W
LEDs	Dimensions of LEDs	5050
	Number of diodes in module	3
	Color of Light	RGBW- (R,G,B, 6000-8000K) RGBN- (R,G,B, 3800-4300K) RGBWW- (R,G,B, 2800-3200K)
	Flux	R- 3...4lm G- 7...9lm B- 3...3,5lm W- 18...20lm N- 18...20lm WW- 18...20lm
	Beam angle	120°
	Lifetime	50K hours
Connection	Soldering	Yes
	Screw and spring clamps	Yes
Wires	Wire length	100 mm
	Wires designation	Yellow (+) Red (-) Green (-) Blue (-) White (-)
Properties	Protection	IP 67
	Working temperature	-40°C ... 50°C
Dimensions	Height, width, length	4,9 x 19 x 68 mm
Others	Screwing	Yes
	Hole size	M3
	Housing material	ABS
Packing	Number of modules per 1 m	6 pcs.
	Chain	20 pcs. (3,5m)
	Bag	120 pcs.
	Box	Small 720lcs big 1440 pcs.

◆ DIMENSIONS :



Dimensions: mm