

# T18-2

**0/1-10V**

## 0/1-10V Rotary Glass Panel Dimmer

- Rotary glass panel 0/1-10V dimmer, 1 channel output.
- Output 1 channel 0/1-10V signal, connect with 0/1-10V dimmable driver.
- High voltage AC input, high voltage AC relay output, with zero-crossing detection.
- Rotate knob to change brightness, support push and long push operation.
- 256 levels 0-100% dimming smoothly without any flash.
- Compatibility with RF 2.4G single zone or multiple zone dimming remote control.
- High-inrush specification relay.
- White & Black glass panel available.

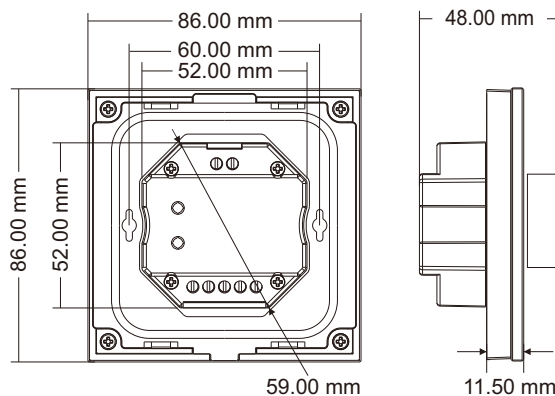
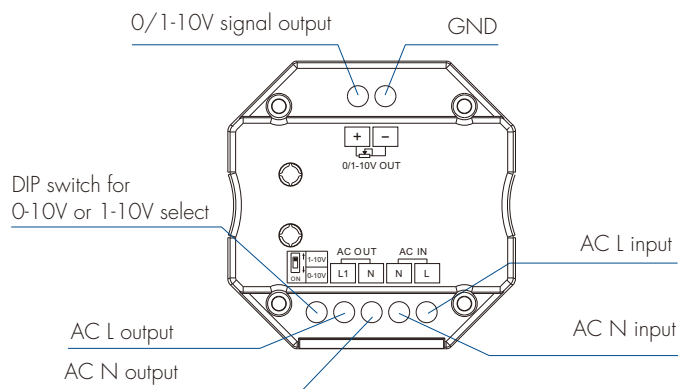


CE RoHS RED §

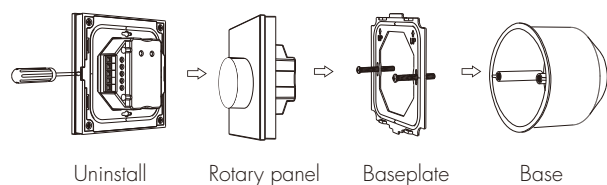
### Technical Parameters

Input and Output		Dimming data		Safety and EMC	
Input voltage	AC 100-240V	Input signal	Rotary knob + RF 2.4GHz	EMC standard	ETSI EN 301 489-1 V2.2.3 ETSI EN 301 489-17 V3.2.4
Output signal	0/1-10V (50mA)	RF Control distance	10m(Barrier-free space)	Safety standard	EN 61347-1:2015+A1:2021 EN 61347-2-13:2014+A1:2017
Output current	Max 3A (AC)	Dimming gray level	256 levels	Radio Equipment	ETSI EN 300 328 V2.2.2
Relay surge current	200A	Dimming range	0-100%	Certification	CE RED
Environment		Package		Warranty	
Operation temperature	Ta: -30°C ~ +55°C	Size	L112 x W112 x H60mm	Warranty	5 years
Case temperature (Max.)	Tc: +65°C	Gross weight	0.240kg		
IP rating	IP20				

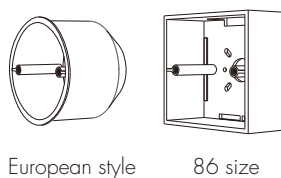
### Mechanical Structures and Installations



#### Installation diagram:



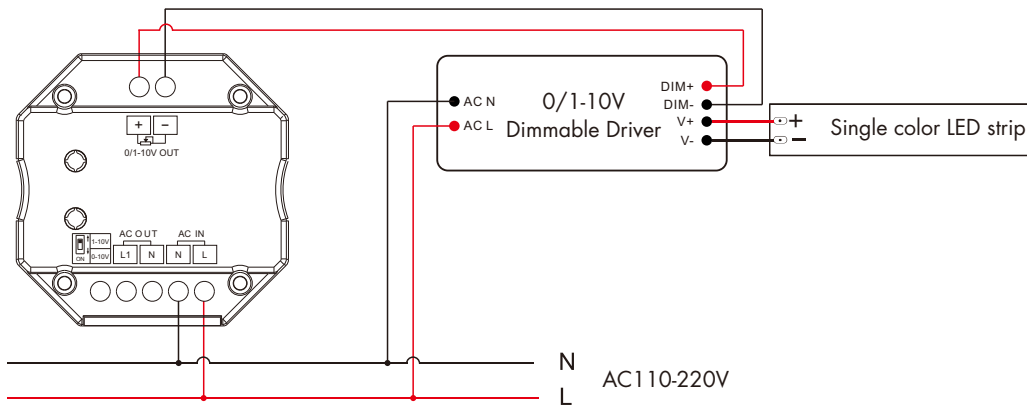
#### Typical base as below:



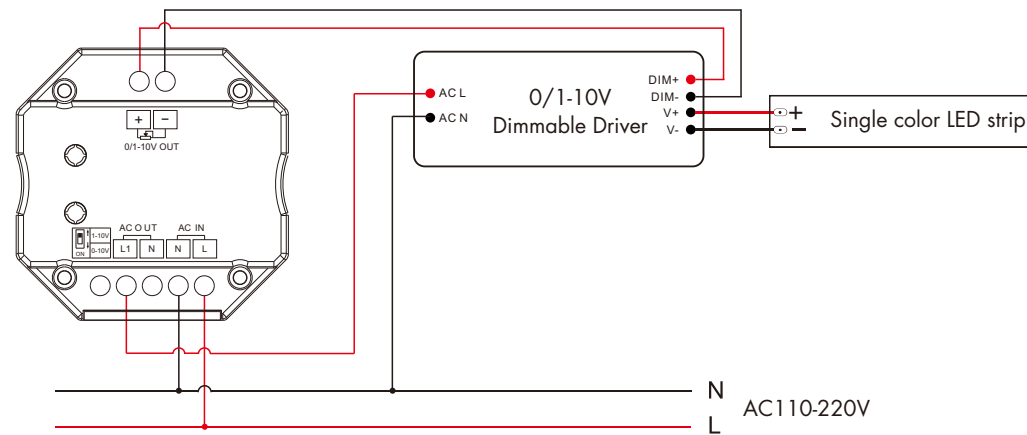
### Knob Function

- Push: Turn on or off light.
- After turn on light:
  - Rotate: Rotate knob to adjust brightness, 2.5 turns, 50 levels.
  - Long push(1-6s): Continuous 256 levels brightness adjustment.

- Connect with 0/1-10V dimmable driver (no use AC OUT)



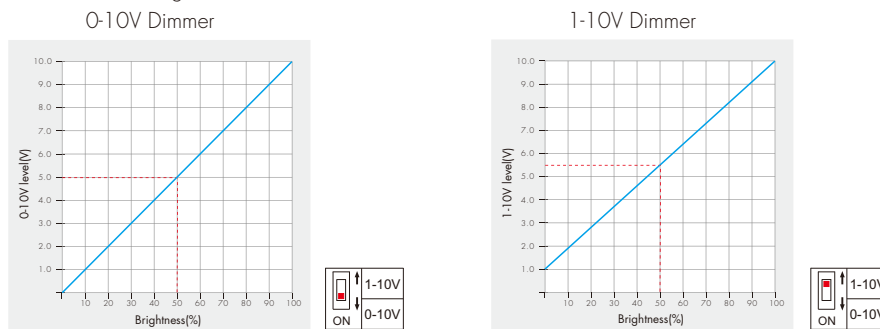
- Connect with 0/1-10V dimmable driver (use AC OUT)



**Note:** 1. We recommend the number of LED drivers connected to 0/1-10V dimmer does not exceed 100 pieces, The maximum length of the wires from dimmer to LED driver should be no more than 50 meters.  
 2. The MAX. surge current of the AC OUT is 200A. When connecting multiple capacitive (LED power supplies) or inductive loads, the sum of the surge currents can not exceed its maximum value. Otherwise, long-term use may cause product damage.

### 0-10V or 1-10V Dimming Setting

Select 0-10V dimmer or 1-10V dimmer according to dimmable LED driver.



### Match Remote Control (Two Match Ways)

The 0/1-10V rotary panel dimmer can also match with the RF dimming remote (optional).

End user can choose the suitable match/delete ways. Two options are offered for selection:

#### Use Knob

Match:

Turn on light, turn off, immediately push the knob for 5s, then press on/off key (single zone remote) or zone key (multiple zone remote) of the RF remote within 5s. The LED indicator fast flash 3 times means match is successful.

Delete:

Turn on light, turn off, immediately push the knob for 10s, The LED indicator fast flash 6 times means all matched remotes were deleted.

#### Use Power Restart

Match:

Switch off the power, then switch on power, repeat again, Immediately short press on/off key (single zone remote) or zone key (multiple zone remote) 3 times on the remote. The light blinks 3 times means match is successful.

Delete:

Switch off the power, then switch on power, repeat again, Immediately short press on/off key (single zone remote) or zone key (multiple zone remote) 5 times on the remote. The light blinks 5 times means all matched remotes were deleted.