

## 6-Key RF Remote Controller

Model No.: RM1, RM2, RM3

Wireless remote 30m distance / CR2032 battery

### Features

- Apply to single color, dual color or RGB/RGBW LED controller.
- Each remote can match one or more receiver.
- CR2032 battery powered.
- Operate with LED indicator light.

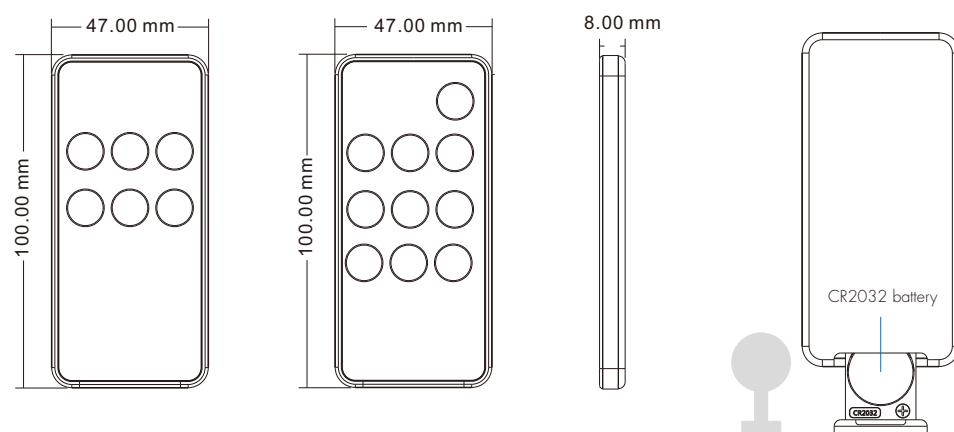


CE RoHS  RED

### Technical Parameters

Input and Output		Safety and EMC		Environment	
Output signal	RF(2.4GHz)	EMC standard (EMC)	ETSI EN 301 489-1 V2.2.3 ETSI EN 301 489-17 V3.2.4	Operation temperature	Ta: -30°C ~ +55°C
Working voltage	3VDC(CR2032)	Safety standard	EN 62368-1 :2020+A11 :2020	IP rating	IP20
Working current	<5mA	Radio Equipment (RED)	ETSI EN 300 328 V2.2.2	Packing	
Standby current	<2μA	Certification	CE,EMC,RED	Size of the box	L104 x M50 x H12mm
Standby time	2 years	Warranty	5 years	Gross weight	0.040kg
Remote distance	30m(Barrier-free space)				

### Dimension



**Note:** Before the first use, please remove the protective film on the battery.

### Match Remote Control (two match ways)

End user can choose the suitable match/delete ways. There are two options offered for selection:

#### Use the controller's Match key

Match:

Short press match key, immediately press on/off key on the remote. The LED indicator fast flash a few times means match is successful.

Delete:

Press and hold match key for 5s to delete all match, The LED indicator fast flash a few times means all matched remotes were deleted.

#### Use Power Restart

Match:

Switch off the power, then switch on power, repeat again. Immediately short press on/off key 3 times on the remote. The light blinks 3 times means match is successful.

Delete:

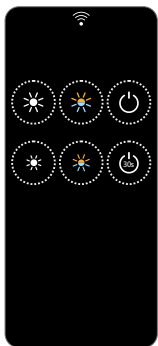
Switch off the power, then switch on power, repeat again. Immediately short press on/off key 5 times on the remote. The light blinks 5 times means all matched remotes were deleted.

### • RM1 1 zone dimming remote



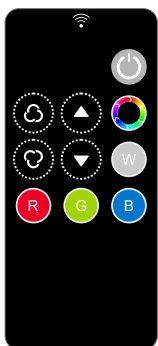
- On/Off
  - Turn off light after 30s, long press 2s will turn off light after 60s.
  - 50% brightness
  - 10% brightness for small night light
  - Brightness+
  - Brightness-
- Brightness+/-:**  
Short press 10 levels, long press 1-6s for continuous 256 levels adjustment.

### • RM2 1 zone CCT remote



- On/Off
  - Turn off light after 30s, long press 2s will turn off light after 60s.
  - Color temperature +
  - Color temperature -
  - Brightness+
  - Brightness-
- Color temperature+/-:**  
Short press 11 levels, long press 1-6s for continuous 256 levels adjustment.
- Brightness+/-:**  
Short press 10 levels, long press 1-6s for continuous 256 levels adjustment.

### • RM3 1 zone RGB/RGBW remote



- On/Off: Turn on/off light.
  - Color: Short press get 24 kinds static RGB color, long press for continuous static color adjustment.
- |        |        |        |        |
|--------|--------|--------|--------|
|        |        |        |        |
| 1      | 9      | 17     | 25(1)  |
| R 100% | G 100% | B 100% | R 100% |
| 5      | 13     | 21     |        |
| R 100% | G 100% | R 100% |        |
| G 100% | B 100% | B 100% |        |
- Mode+: Short press run the next dynamic mode, long press 2s run mode cycle.
  - Mode -: Short press run the previous dynamic mode, long press 2s run the first mode.
  - Bright/Speed+: For static RGB color, increase brightness, short press 10 levels, long press 1-6s for continuous 256 levels adjustment.  
For dynamic mode, increase speed, short press 10 levels, long press get the fastest speed.
  - Bright/Speed -: For static RGB color, decrease brightness, short press 10 levels, long press 1-6s for continuous 256 levels adjustment.  
For dynamic mode, decrease speed, short press 10 levels, long press get the slowest speed.
  - R/G/B: Short press get red green or blue color directly,  
long press 1-6s adjust R/G/B brightness continuously to achieve millions of colors.
  - W+/-: For RGB light, short press turn on/off white(RGB mix),  
long press 1-6s adjust saturation continuously namely change current static RGB color to mixed white slowly.  
For RGBW light, short press turn on/off W channel, long press 1-6s adjust W brightness continuously.

## Safety information

1. Read all instructions carefully before you begin this installation.
2. When installing battery, pay attention to the battery positive and negative polarity.  
A long time without the remote control, remove the battery.  
When remote distance becomes smaller and insensitive, replace the battery.
3. If no response from the receiver, please re-match the remote.
4. Gently handle remote, beware of falling.
5. For indoor and dry location use only.