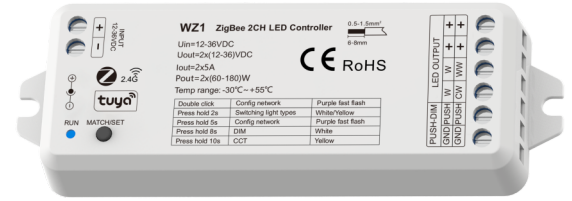


# WZ1

## Zigbee & RF

### ZigBee & RF 2CH LED Controller

- Used for control single color or color temperature LED strip.
- DC power socket input and 2 channel constant voltage output.
- Tuya smart APP cloud control, support on/off, color temperature and brightness adjust, delay turn on/off light, timer run, scene edit and music play function.
- Philips HUE APP control by connect with Philips HUE bridge.
- Voice control, support for Amazon Alexa, Google Assistant, Tmall Genie and Xiaodu voice assistant.
- Match with RF 2.4G remote control optional.
- User need set light type by press key before Tuya smart APP network connection and match RF remote of the same light type.
- Each WZ1 controller can also work as ZigBee-RF converter, then use Tuya smart APP to control one or more RF LED controller or RF LED dimming driver synchronously.
- Connect with external push switch to achieve on/off and 0-100% dimming function.
- Light on/off fade time 3s selectable.

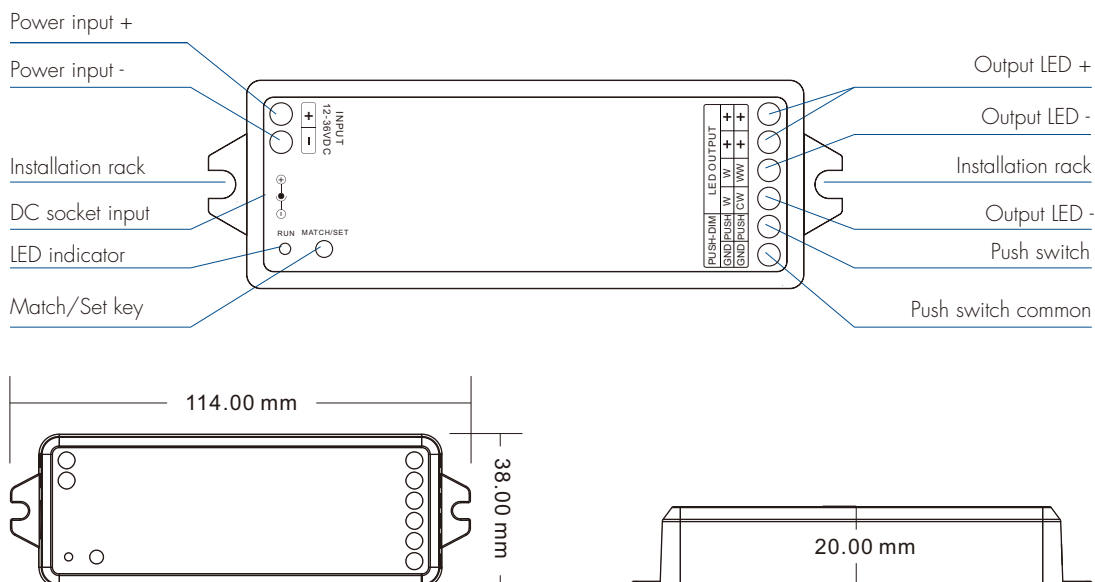


CE RoHS  RED

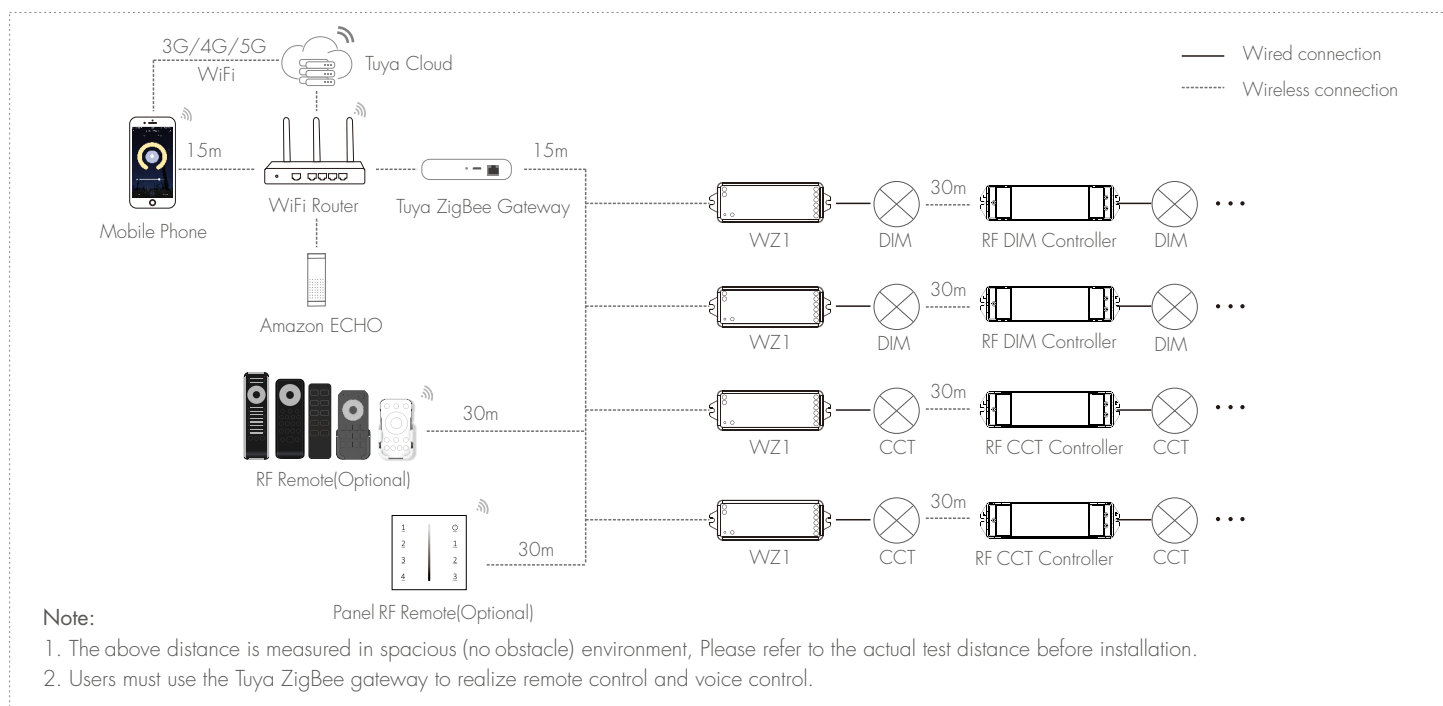
#### Technical Parameters

Input and Output		Dimming data		Safety and EMC	
Input voltage	12-36VDC	Input signal	Zigbee + RF 2.4GHz + Push Dim	EMC standard (EMC)	ETSI EN 301 489-1 V2.2.3 ETSI EN 301 489-17 V3.2.4
Input current	10.5A	Control distance	30m(Barrier-free space)	Safety standard	EN 61347-1:2015+A1:2021 EN 61347-2-13:2014+A1:2017
Output voltage	2 x (12-36)VDC	Dimming gray scale	4096 (2 <sup>12</sup> ) levels	Radio Equipment(RED)	ETSI EN 300 328 V2.2.2
Output current	2CH,5A/CH	Dimming range	0 -100%	Certification	CE,EMC,RED
Output power	2 x (60-180)W	Dimming curve	Logarithmic	<b>Warranty and Protection</b>	
Output type	Constant voltage	PWM frequency	2000Hz (default)	Warranty	5 years
<b>Environment</b>		<b>Package</b>		Protection	Reverse polarity Over-heat Short circuit
Operation temperature	Ta: -30°C ~ +55°C	Size	L120 x W43x H27mm		
Case temperature (Max.)	Tc: +85°C	Gross weight	0.055kg		

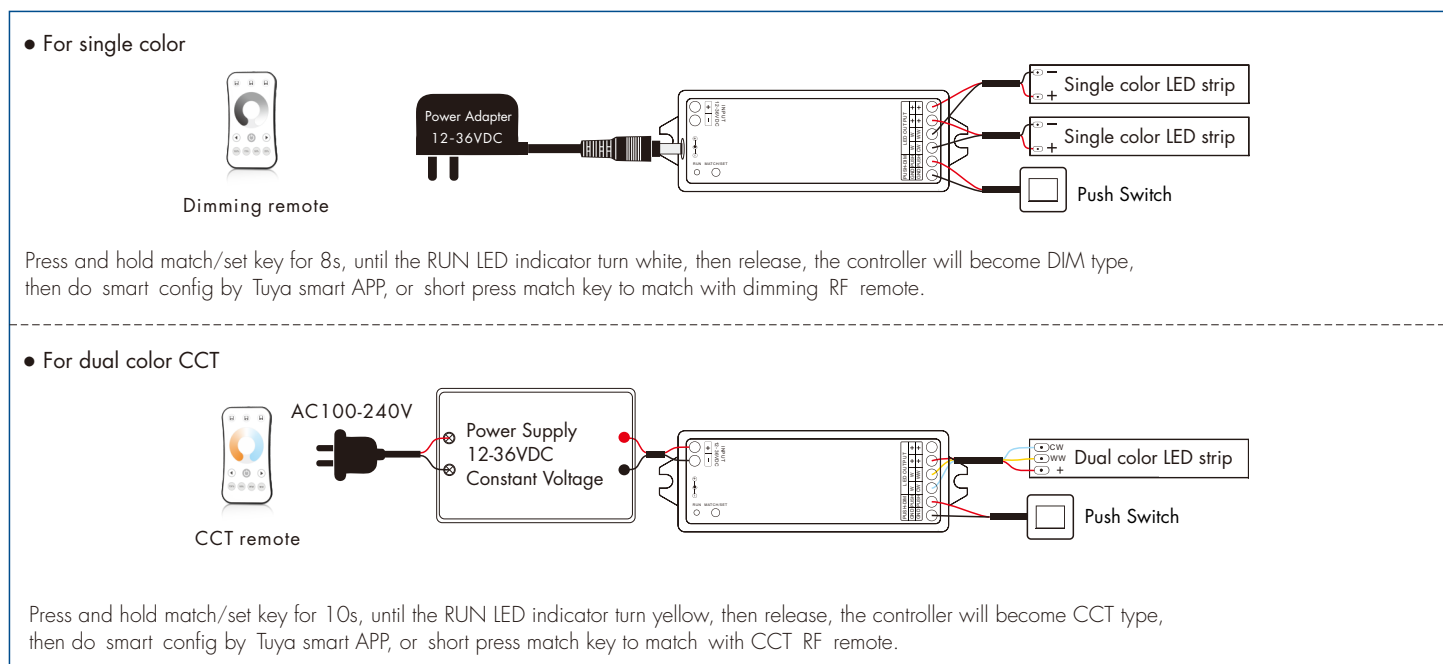
#### Mechanical Structures and Installations



## System wiring



## Wiring Diagram



### Note:

1. User can connect constant voltage power supply or power adapter as power input.
2. Press and hold Match/Set key for 2s, switch 2 kinds light type in sequence.
3. Switch off the power, then switch on power, repeat again.  
Immediately short press match key 3 times, the light on/off time will change between 3s and 0.5s.
4. For CCT light, continuous power on and off will change 3 levels color temperature (WW, NW and CW) in sequence.

## Push Dim

DIM Single color	Click	ON/OFF
	Double Click	Turn on at 100% or 10%(night light) and vice-versa
	Long press(>1s) from OFF	Dimming UP/DOWN
	Long press(>1s) from ON	Dimming UP/DOWN
CCT Dual Color	Click	ON/OFF
	Double Click	Turn on at 100% or 10%(night light) and vice-versa
	Long press(>1s) from OFF	Color temperature UP/DOWN (turn off and turn on to return dimming)
	Long press(>1s) from ON	Dimming UP/DOWN

Press and hold Match/Set key for 2s:

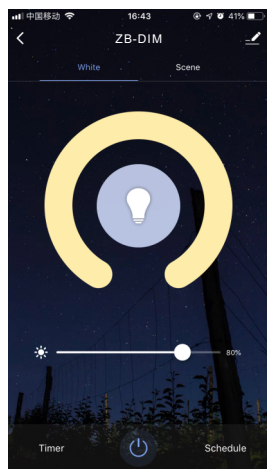
Switch 2 kinds light type in sequence, notice this operation does not automatically clear previous network connection.

Press and hold Match/Set key for 5s, or push twice Match/Set key fastly, or when press and hold Match/Set key for 8 or 10s to set 2 kinds light type: Clear previous network connection, enter config mode, the purple LED indicator fast flash, the output LED will flash 10 times.

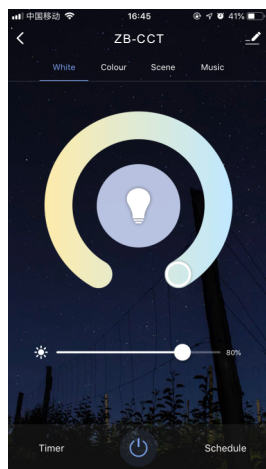
Repeat power on and off for 5 consecutive times, also clear previous network connection, enter config mode, the output LED will flash 10 times.

If Tuya smart APP network connection succeed, the RUN LED indicator will stop flash purple, and turn corresponding light type color (White: DIM, Yellow: CCT. and in Tuya smart APP, you can find ZB-DIM or ZB-CCT device

## Tuya Smart APP interface



DIM



CCT

### DIM:

Touch brightness slide to adjust brightness.

### CCT:

Touch color wheel to adjust color temperature.

Touch brightness slide to adjust brightness.

## WZ1 match RF remote control (Optional)

End user can choose the suitable match/delete ways. Two options are offered for selection:

### Use the WZ1's Match key

#### Match:

Short press match key of WZ1, immediately press on/off key (single zone remote) or zone key (multiple zone remote) on the remote. The LED indicator fast flash a few times means match is successful.

#### Delete:

Press and hold match key of WZ1 for 15s to delete all match, The LED indicator fast flash a few times means all matched remotes were deleted.

### Use Power Restart

#### Match:

Switch off the power of WZ1, then switch on power, repeat again. Immediately short press on/off key (single zone remote) or zone key (multiple zone remote) 3 times on the remote. The light blinks 3 times means match is successful.

#### Delete:

Switch off the power of WZ1, then switch on power, repeat again. Immediately short press on/off key (single zone remote) or zone key (multiple zone remote) 5 times on the remote. The light blinks 5 times means all matched remotes were deleted.

## WZ1 work as ZigBee-RF converter to match RF LED controller or dimming driver

End user can choose the suitable match/delete ways. Two options are offered for selection:

### Use the controller's Match key

#### Match:

Short press match key of the controller, immediately press on/off key on the Tuya smart APP. The LED indicator fast flash a few times means match is successful.

#### Delete:

Press and hold match key of the controller for 5s, The LED indicator fast flash a few times means match was deleted.

### Use Power Restart

#### Match:

Switch off the power of the controller, then switch on power, repeat again. Immediately short press on/off key 3 times on the Tuya smart APP. The light blinks 3 times means match is successful.

#### Delete:

Switch off the power of the controller, then switch on power, repeat again. Immediately short press on/off key 5 times on the Tuya smart APP. The light blinks 5 times means match was deleted.