

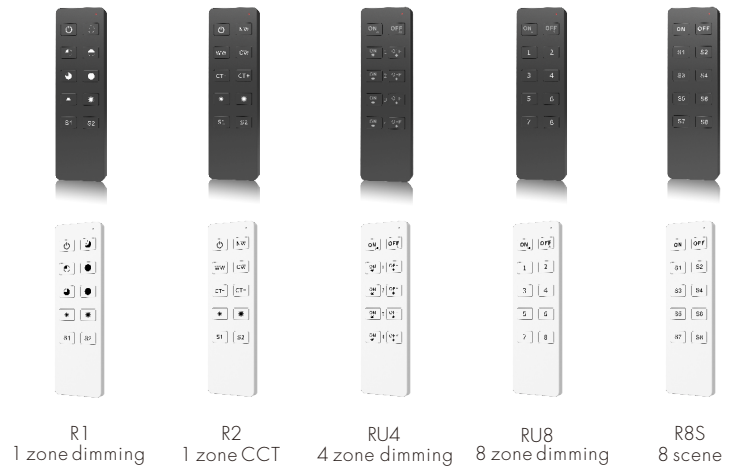
10-Key RF Remote Controller

Modle No.: R1, R2, RU4, RU8, R8S

10-key / Wireless remote 30m distance / CR2032 battery

Features

- Apply to single color, dual color, RGB, RGBW or RGB+CCT RF LED controller.
- Each remote can match one or more receiver.
- CR2032 battery powered.
- Operate with LED indicator light.
- White & Black available.

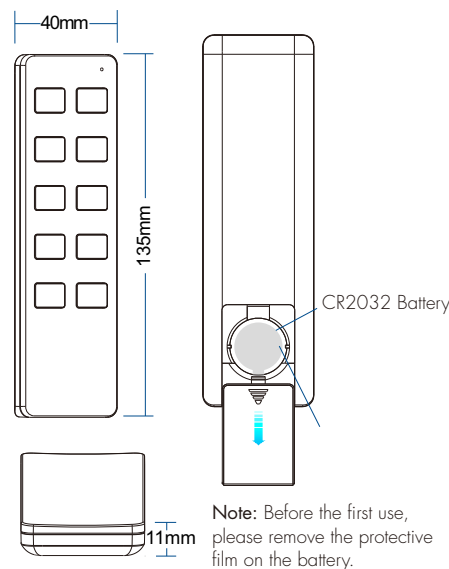


Technical Parameters

CE RoHS  LVD RED

Input and Output		Safety and EMC		Environment	
Output signal	RF(2.4GHz)	EMC standard (EMC)	ETSI EN 301 489-1 V2.2.3 ETSI EN 301 489-17 V3.2.4	Operation temperature	Ta: -30 C ~ +55 C
Working voltage	3VDC(CR2032)	Safety standard (LVD)	EN 62368-1:2020+A11:2020	IP rating	IP20
Working current	<5mA	Radio Equipment (RED)	ETSI EN 300 328 V2.2.2	Packing	
Standby current	<2μA	Certification	CE,EMC,LVD,RED	Size of the box	L138 x M50 x H22(mm)
Standby time	2 years	Warranty	5 years	Gross weight	0.040kg
Remote distance	30m(Barrier-free space)				

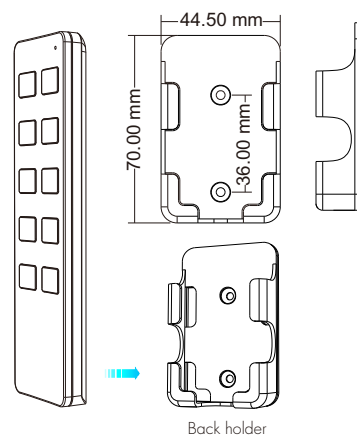
Dimension



Back holder

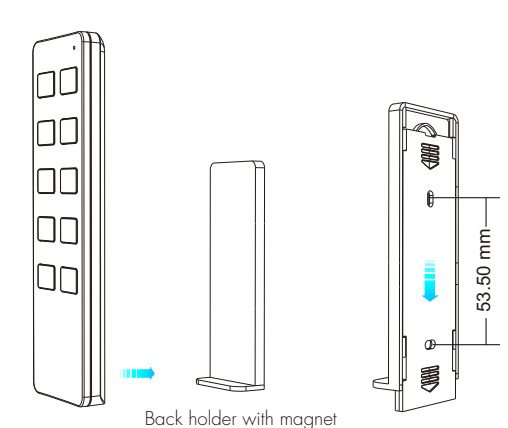
Two options are offered for selection, please fix the remote' back holder on the wall with two screws, or adhere the remote' back holder to the wall with paster.

1. Back holder without magnet



2. Back holder with magnet

(The remote need to be customized with built-in magnets)



Match Remote Control (two match ways)

End user can choose the suitable match/delete ways. There are two options offered for selection:

Use the controller's Match key

Match:

Short press match key, immediately press on/off key (single zone remote) or zone key (multiple zone remote) on the remote.

The LED indicator fast flash a few times means match is successful.

Delete:

Press and hold match key for 5s to delete all match,

The LED indicator fast flash a few times means all matched remotes were deleted.

Use Power Restart

Match:

Switch off the power, then switch on power, repeat again.

Immediately short press on/off key (single zone remote)

or zone key (multiple zone remote) 3 times on the remote.

The light blinks 3 times means match is successful.

Delete:

Switch off the power, then switch on power, repeat again.

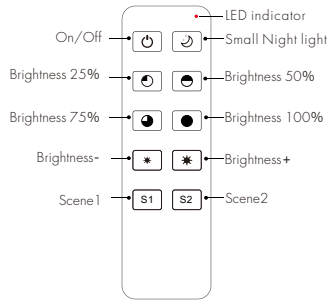
Immediately short press on/off key (single zone remote)

or zone key (multiple zone remote) 5 times on the remote.

The light blinks 5 times means all matched remotes were deleted.

Key function

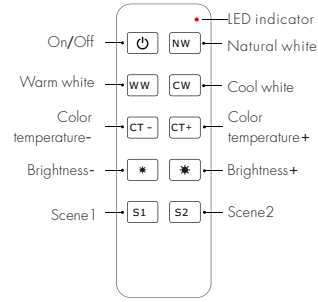
R1 1 zone dimming remote



Brightness+/-:
Short press 10 levels,
long press 1-6s for continuous 256 levels adjustment.

Scene 1/2:
Brightness memory.
Short press recall the scene,
long press 2s save the current brightness into the scene.
the LED indicator will light up longer when save OK.

R2 1 zone CCT remote

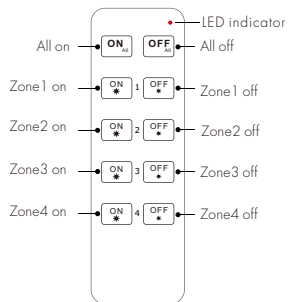


Color temperature+/-:
Short press 11 levels,
long press 1-6s for continuous 256 levels adjustment.

Brightness+/-:
Short press 10 levels,
long press 1-6s for continuous 256 levels adjustment.

Scene 1/2:
Short press recall the scene,
long press 2s save the current color into the scene.
the LED indicator will light up longer when save OK.

RU4 4 zone dimming remote

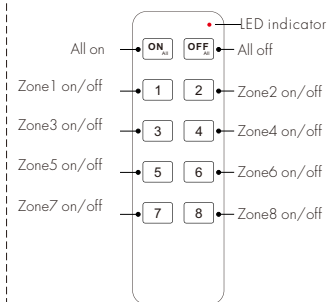


All on: Turn on all 4 zone light.
All off: Turn off all 4 zone light.

Zone 1-4 on:
Short press turn on zone light,
long press 1-6s increase brightness continuously.

Zone 1-4 off:
Short press turn off zone light,
long press 1-6s decrease brightness continuously.

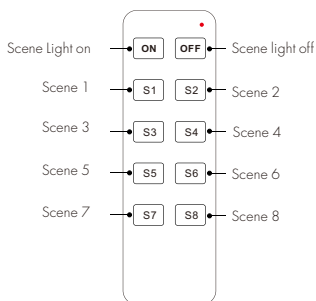
RU8 8 zone dimming remote



All on: Turn on all 8 zone light.
All off: Turn off all 8 zone light.

Zone 1-8 on/off:
Short press turn on/off zone light,
long press 1-6s increase or decrease brightness continuously.

R8S 8 scene remote



ON:
Turn on the last scene light.

OFF:
Turn off the last scene light.

Scene 1-8:
Recall the scene which saved in the RF controller.

Note:
The remote only have scene recall function defaultly.
If you want to use scene save function, please long press ON + S8 key 2s to enable scene save function,
then long press Scene 1-8 key 2s save the current color into this scene number.
the LED indicator will light up longer when save OK.
When all 8 scene save OK, please long press OFF + S8 key 2s to disable scene save function.

Safety information

1. Read all instructions carefully before you begin this installation.
2. When installing battery, pay attention to the battery positive and negative polarity.
A long time without the remote control, remove the battery.
When remote distance becomes smaller and insensitive, replace the battery.
3. If no response from the receiver, please re-match the remote.
4. Gently handle remote, beware of falling.
5. For indoor and dry location use only.