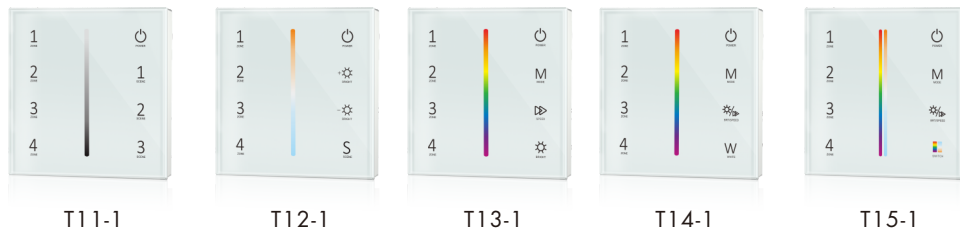


# T11-1, T12-1, T13-1, T14-1, T15-1

## RF DIM/CCT/RGB/RGBW/RGB+CCT

### Wall Mounted Touch Panel

4 Zone / 1-5 color / Glass touch panel / Color slide / AC input / DMX 512 and RF 2.4G signal output



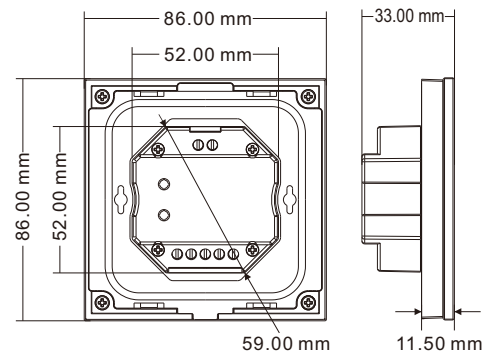
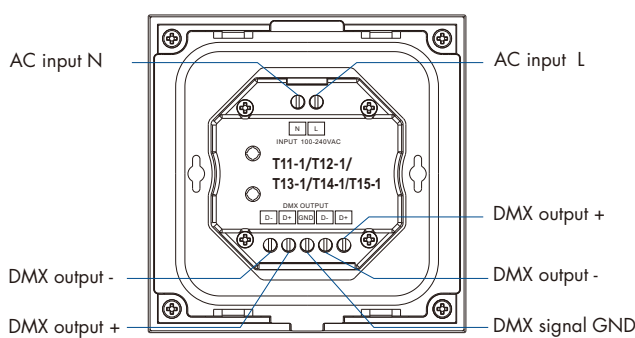
- Touch panel 4 zone 1-5 color DMX512 master, can also be used as 4 zone 1-5 color RF remote.
- DMX signal output, comply to standard DMX512 protocol, compatible with DMX decoder from any supplier.
- When used as RF remote, each zone can remote control multiple RF 2.4G LED controllers.
- Ultra sensitive high strength glass touch panel with touch color slide in the middle.
- Smooth and accurate color adjustment by touching the color slide.
- Touch keys with LED indicator.
- White & Black glass panel available.

CE RoHS LVD RED

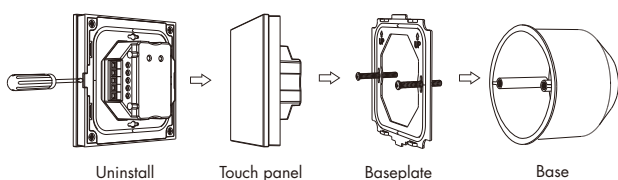
### Technical Parameters

Model No.	T11-1	T12-1	T13-1	T14-1	T15-1	Safety and EMC	
Light type	Single color	Dual color	RGB	RGBW	RGB+CCT	EMC standard (EMC)	ETSI EN 301 489-1 V2.2.3 ETSI EN 301 489-17 V3.2.4
Output DMX channel number	4	8	12	16	20	Safety standard(LVD)	EN 62368-1:2020+A11:2020
<b>Input and Output</b>			<b>Dimming data</b>			<b>Environment</b>	
Input voltage	100-240VAC		Input signal	Touch key + RF 2.4GHz		Operation temperature	Ta: -30°C ~ +55°C
Input current	Max 0.1A		RF Control distance	10m(Barrier-free space)		Case temperature (Max.)	Tc: +65°C
Output signal	DMX512, RF 2.4GHz		Dimming level	256 levels		IP rating	IP20
<b>Package</b>			<b>Warranty</b>				
Size	L112 x W112 x H50mm		Dimming range	0-100%			
Gross weight	0.230kg		Warranty	5 years			

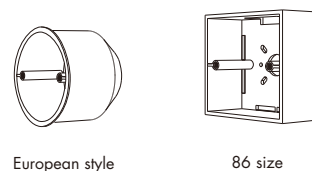
### Mechanical Structures and Installations



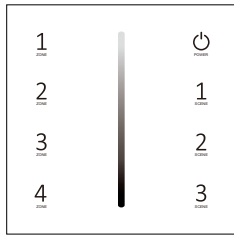
Installation diagram:



Typical base as below:



• T11-1 Single color panel



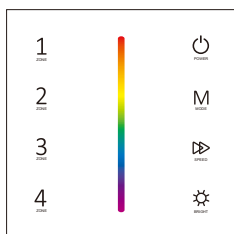
- Turn on/off all zone light.
  - Brightness slide.
  - 1** **2** **3** Scene Scene Scene — Short press recall scene. Long press 2s to save the current state into 1/2/3.
  - 1** **2** **3** **4** Zone Zone Zone Zone
- Short press turn on zone light and select zone simultaneously, long press 2s turn off zone light. 4 zone control separately or synchronously, each zone could control multiple receivers.

• T12-1 Dual color panel



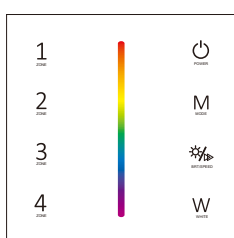
- Turn on/off all zone light.
  - Color temperature.
  - Brightness +, 10 levels.
  - Brightness -, 10 levels.
  - S** Scene — Short press recall scene. Long press 2s to save the current state into the scene.
  - 1** **2** **3** **4** Zone Zone Zone Zone
- Short press turn on zone light and select zone simultaneously, long press 2s turn off zone light. 4 zone control separately or synchronously, each zone could control multiple receivers.

• T13-1 RGB panel



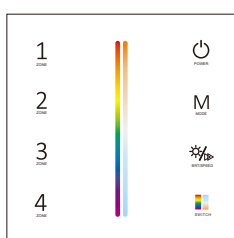
- Turn on/off all zone light.
  - Color slide.
  - M** Mode — Short press play 10 built-in dynamic mode, long press 2s run mode-cycle.
  - Speed — Adjust dynamic mode speed or RGB color saturation, 10 levels.
  - Bright — Adjust brightness, 10 levels.
  - 1** **2** **3** **4** Zone Zone Zone Zone
- Short press turn on zone light and select zone simultaneously, long press 2s turn off zone light. 4 zone control separately or synchronously, each zone could control multiple receivers.

• T14-1 RGBW panel



- Turn on/off all zone light.
  - Color slide.
  - M** Mode — Short press play 10 built-in dynamic mode, long press 2s run mode-cycle.
  - Bri/Speed — Adjust dynamic mode speed or static color brightness, 10 levels.
  - W** White — Short press get white color, long press adjust white brightness.
  - 1** **2** **3** **4** Zone Zone Zone Zone
- Short press turn on zone light and select zone simultaneously, long press 2s turn off zone light. 4 zone control separately or synchronously, each zone could control multiple receivers.

• T15-1 RGB+CCT panel



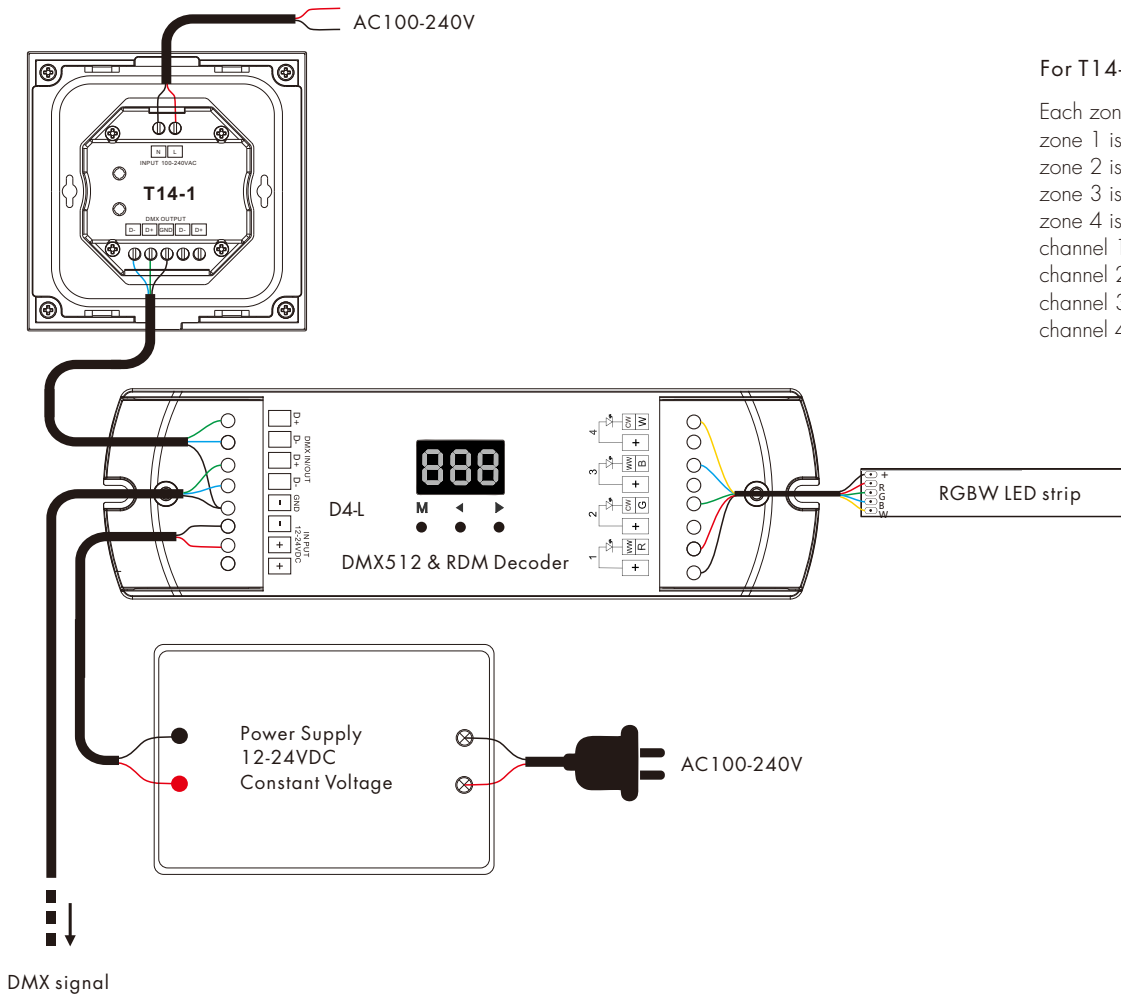
- Turn on/off all zone light.
  - RGB color / Color temperature slide.
  - SWITCH — Switch between RGB color / Color temperature slide.
  - M** Mode — Short press play 10 built-in dynamic mode, long press 2s run mode-cycle.
  - Bri/Speed — Adjust dynamic mode speed or static color brightness, 10 levels.
  - 1** **2** **3** **4** Zone Zone Zone Zone
- Short press turn on zone light and select zone simultaneously, long press 2s turn off zone light. 4 zone control separately or synchronously, each zone could control multiple receivers.

**Turn on key tone:** Long press power key for 5s when all zone light is off, will turn on or turn off key tone.

After connect with DMX decoders, please set the DMX decoders address as below:

Model No.	T11-1	T12-1		T13-1			T14-1				T15-1				
		VV	CV	R	G	B	R	G	B	W	R	G	B	VV	CV
Zone 1 DMX decoder's address	1	1	2	1	2	3	1	2	3	4	1	2	3	4	5
Zone 2 DMX decoder's address	2	3	4	4	5	6	5	6	7	8	6	7	8	9	10
Zone 3 DMX decoder's address	3	5	6	7	8	9	9	10	11	12	11	12	13	14	15
Zone 4 DMX decoder's address	4	7	8	10	11	12	13	14	15	16	16	17	18	19	20

### Wiring Diagram for touch panel work as DMX512 master



#### For T14-1 RGBW panel

Each zone 4 channel:  
 zone 1 is channel 1 ~ 4,  
 zone 2 is channel 5 ~ 8,  
 zone 3 is channel 9 ~ 12,  
 zone 4 is channel 13 ~ 16,  
 channel 1,5,9,13 is R,  
 channel 2,6,10,14 is G,  
 channel 3,7,11,15 is B,  
 channel 4,8,12,16 is W.

### Touch Panel work as DMX512 master match RF remote

Touch panel 4 zone DMX512 master can also match with 4 zone RF remote (Optional).

End user can choose the suitable match/delete ways. Two options are offered for selection:

#### Use On/Off key

Match:

Turn on light, turn off, immediately press the On/Off key of the panel for 5s, then press any zone key of the RF remote within 5s.

The LED indicator fast flash 3 times means match is successful.

Delete:

Turn on light, turn off, immediately press the On/Off key of the panel for 10s to delete all match,

The LED indicator fast flash 6 times means all matched remotes were deleted.

#### Use Power Restart

Match:

Switch off the power of the panel, then switch on power, repeat again.

Immediately short press any zone key 3 times on the remote.

The LED indicator fast flash 3 times means match is successful.

Delete:

Switch off the power of the panel, then switch on power, repeat again.

Immediately short press any zone key 5 times on the remote.

The LED indicator fast flash 6 times means all matched remotes were deleted.

Touch panel 4 zone remote can match with RF controller for the corresponding light type.  
End user can choose the suitable match/delete ways. Two options are offered for selection:

**Use the controller’s Match key**

**Match:**  
Short press match key, immediately press zone key of the touch panel.  
The LED indicator fast flash a few times means match is successful.

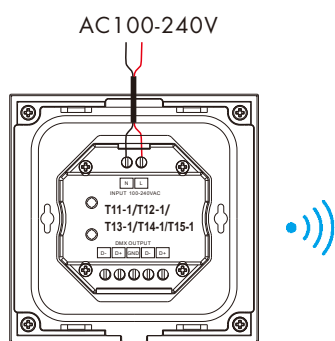
**Delete:**  
Press and hold match key for 5s to delete all match,  
The LED indicator fast flash a few times means all matched remotes were deleted.

**Use Power Restart**

**Match:**  
Switch off the power of the receiver, then switch on power, repeat again.  
Immediately short press zone key 3 times on the touch panel.  
The light blinks 3 times means match is successful.

**Delete:**  
Switch off the power of the receiver, then switch on power, repeat again.  
Immediately short press zone key 5 times on the touch panel.  
The light blinks 5 times means all matched remotes were deleted.

**Wiring Diagram for touch panel work as RF remote**



**RGB/RGBW dynamic mode list (only for T13-1 / T14-1)**

No.	Name	No.	Name
1	RGB jump	6	RGB fade in and out
2	RGB smooth	7	Red fade in and out
3	ó color jump	8	Green fade in and out
4	ó color smooth	9	Blue fade in and out
5	Yellow cyan purple smooth	10	White fade in and out

**RGB+CCT dynamic mode list (only for T15-1)**

No.	Name	No.	Name
1	RGB jump	6	RGB fade in and out
2	RGB smooth	7	Red fade in and out
3	ó color jump	8	Green fade in and out
4	ó color smooth	9	Blue fade in and out
5	Color temperature smooth	10	White fade in and out

**Malfunctions analysis & troubleshooting**

Malfunctions	Causes	Troubleshooting
No light	1. No power. 2. Wrong connection or insecure.	1. Check the power. 2. Check the connection.
Wrong color	1. DMX decoder first address error. 2. Wrong connection of output wires.	1. Check the DMX first address. 2. Reconnect output wires.