

T11-S, T12-S, T13-S, T14-S, T15-S

Wall Mounted Touch Panel



T11-S

T12-S

T13-S

T14-S

T15-S

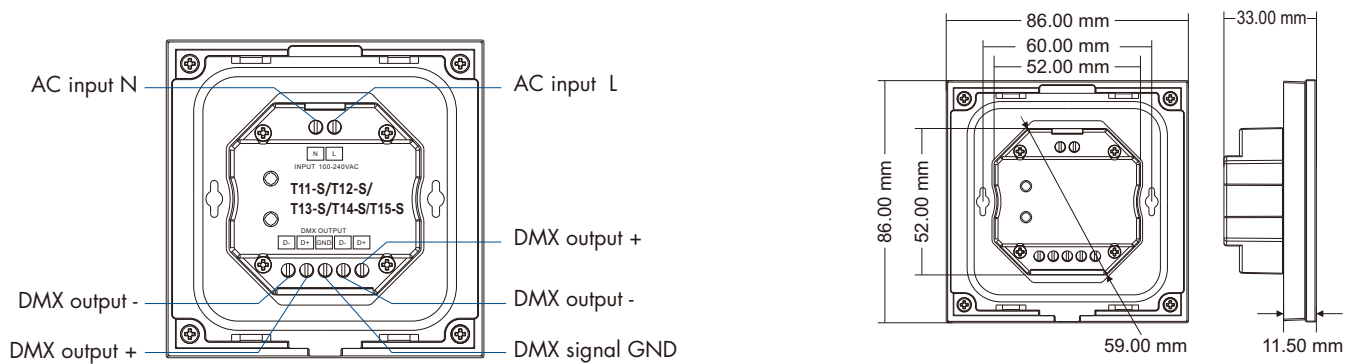
- Touch panel 1 zone 1-5 color DMX512 master, can also be used as 1-5 color RF remote.
- DMX signal output, comply to standard DMX512 protocol, compatible with DMX decoder from other supplier.
- When used as RF remote, can remote control multiple RF 2.4G LED controllers.
- Ultra sensitive high strength glass touch panel with touch color slide.
- Smooth and accurate color adjustment by touching the color slide.
- Touch keys with LED indicator.
- White & Black glass panel available.

CE RoHS emc RED

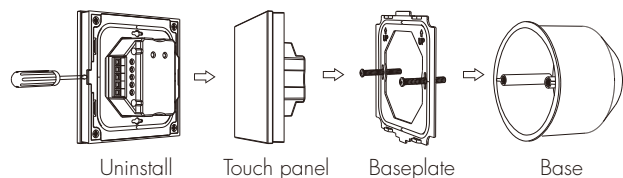
Technical Parameters

Model No.	T11-S	T12-S	T13-S	T14-S	T15-S	Safety and EMC	
Light type	Single color	Dual color	RGB	RGBW	RGB+CCT	EMC standard (EMC)	ETSI EN 301 489-1 V2.2.3 ETSI EN 301 489-17 V3.2.4
Output DMX channel number	1	2	3	4	5	Safety standard	EN 62368-1:2020+A11:2020
Input and Output			Dimming data			Radio Equipment(RED)	ETSI EN 300 328 V2.2.2
Input voltage	100-240VAC		Input signal	Touch key, RF 2.4GHz		Certification	CE, EMC, RED
Input current	Max 0.1A		RF Control distance	10m(Barrier-free space)		Environment	
Output signal	DMX512, RF 2.4GHz		Dimming level	256 levels		Operation temperature	Ta: -30°C ~ +55°C
Package			Dimming range	0-100%		Case temperature (Max.)	Tc: +65°C
Size	L112 x W112 x H50mm		Warranty			IP rating	IP20
Gross weight	0.230kg		Warranty	5 years			

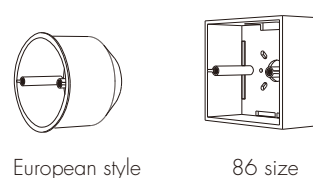
Mechanical Structures and Installations



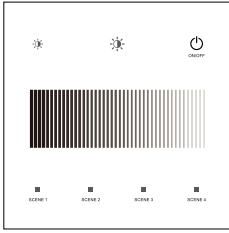
Installation diagram:



Typical base as below:

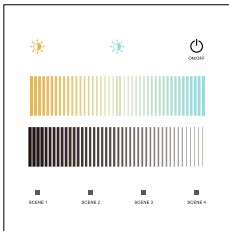


● T11-S Single color panel



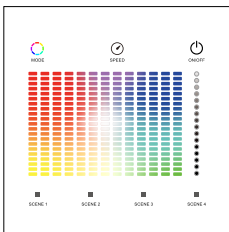
- Turn on/off light.
- Increase brightness, 10 level.
- Decrease brightness, 10 level.
- Brightness slide.
- Short press recall the scene, long press 5s save current brightness into scene 1/2/3/4.

● T12-S Dual color panel



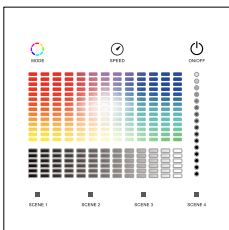
- Turn on/off light.
- Increase color temperature, 10 levels.
- Decrease color temperature, 10 levels.
- Color temperature slide.
- Brightness slide.
- Short press recall the scene, long press 5s save current color into scene 1/2/3/4.

● T13-S RGB panel



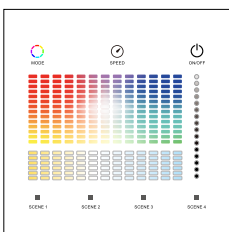
- Turn on/off light.
- Short press play 10 built-in dynamic mode, long press 2s run mode-cycle.
- Adjust dynamic mode speed, 10 levels.
- Color slide.
- Brightness slide.
- Short press recall the scene, long press 5s save current color into scene 1/2/3/4.

● T14-S RGBW panel



- Turn on/off light.
- Short press play 10 built-in dynamic mode, long press 2s run mode-cycle.
- Adjust dynamic mode speed, 10 levels.
- Color slide.
- W channel brightness slide.
- Brightness slide.
- Short press recall the scene, long press 5s save current color into scene 1/2/3/4.

● T15-S RGB+CCT panel



- Turn on/off light.
- Short press play 10 built-in dynamic mode, long press 2s run mode-cycle.
- Adjust dynamic mode speed, 10 levels.
- Color slide.
- Color temperature slide.
- Brightness slide.
- Short press recall the scene, long press 5s save current color into scene 1/2/3/4.

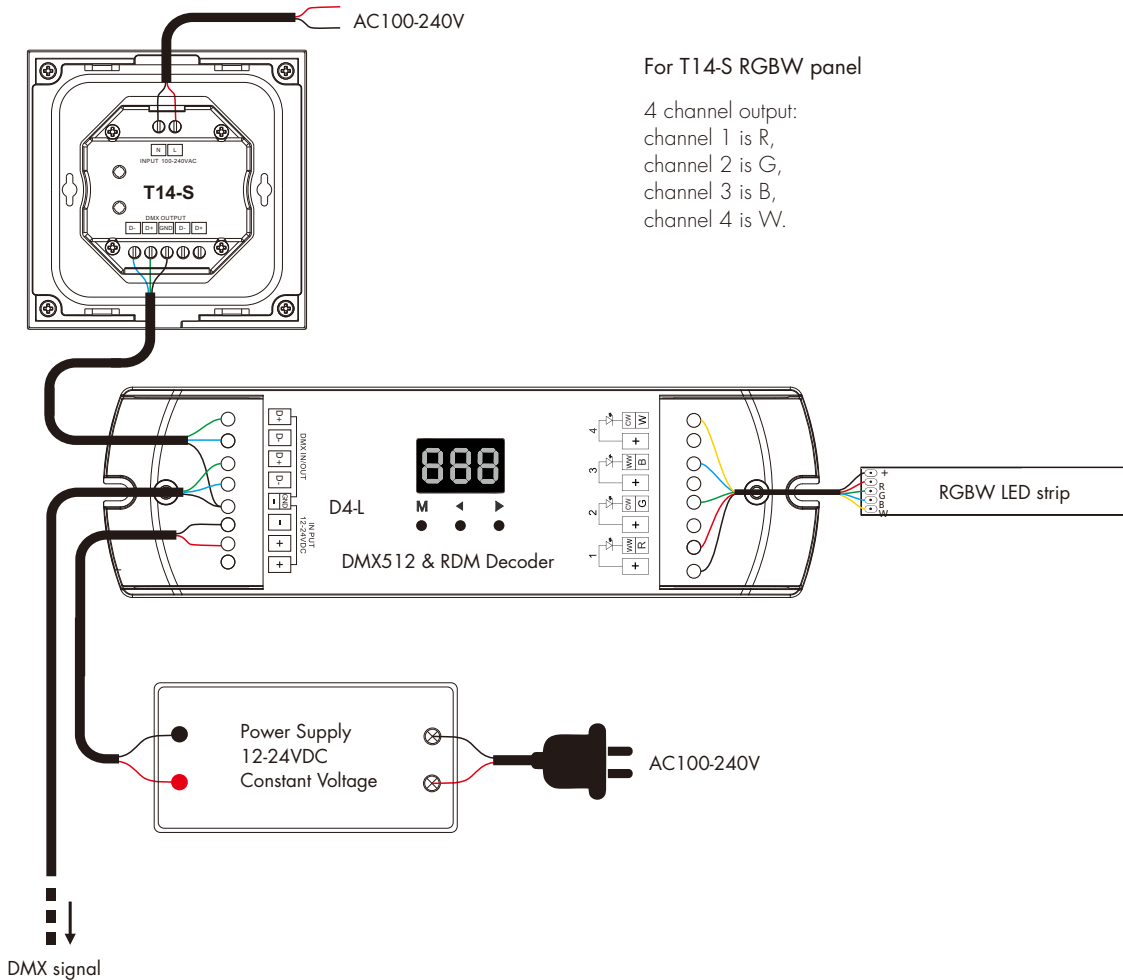
Scene locking:

- Scene keys can be set to locked state, cancel long press for 5 seconds to save the scene function (default scene is not locked).
- Short press the panel on/off key, turn on the light first, then turn off the light, immediately long press the panel on/off key for 5 seconds, then immediately long press any one scene key for 5 seconds to set all scene keys to locked state.
- Short press the panel on/off key, turn on the light first, then turn off the light, immediately long press the panel on/off key for 5 seconds, then immediately long press any one scene key for 10 seconds to restore all scene keys to unlocked state.

After connect with DMX decoders, please set the DMX decoders address as below:

Model No.	T11-S	T12-S		T13-S			T14-S				T15-S				
		WW	CW	R	G	B	R	G	B	W	R	G	B	WW	CW
DMX decoder's address	1	1	2	1	2	3	1	2	3	4	1	2	3	4	5

Wiring Diagram for touch panel work as DMX512 master



Touch Panel work as DMX512 master match RF remote

Touch panel 1 zone DMX512 master can also match with 1 zone RF remote (Optional).
End user can choose the suitable match/delete ways. Two options are offered for selection:

Use On/Off key

Match:
Turn on light, turn off, immediately press the On/Off key of the panel for 5s,
then press any On/Off key of the RF remote within 5s.
The LED indicator fast flash 3 times means match is successful.

Delete:
Turn on light, turn off, immediately press the On/Off key
of the panel for 10s to delete all match,
The LED indicator fast flash 6 times means all matched remotes were deleted.

Use Power Restart

Match:
Switch off the power of the panel, then switch on power, repeat again.
Immediately short press On/Off key 3 times on the remote.
The LED indicator fast flash 3 times means match is successful.

Delete:
Switch off the power of the panel, then switch on power, repeat again.
Immediately short press On/Off key 5 times on the remote.
The LED indicator fast flash 6 times means all matched remotes were deleted.

Touch panel 1 zone remote can match with RF controller for the corresponding light type.
End user can choose the suitable match/delete ways. Two options are offered for selection:

Use the controller's Match key

Match:
Short press match key, immediately press On/Off key of the touch panel.
The LED indicator fast flash a few times means match is successful.

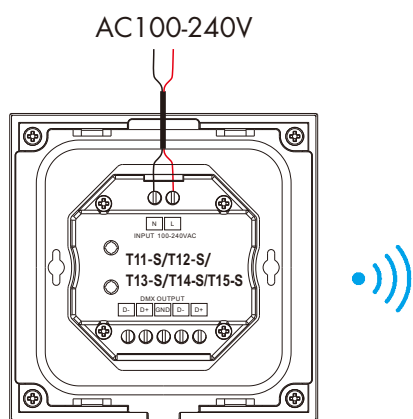
Delete:
Press and hold match key for 5s to delete all match,
The LED indicator fast flash a few times means all matched remotes were deleted.

Use Power Restart

Match:
Switch off the power of the receiver, then switch on power, repeat again.
Immediately short press On/Off key 3 times on the touch panel.
The light blinks 3 times means match is successful.

Delete:
Switch off the power of the receiver, then switch on power, repeat again.
Immediately short press On/Off key 5 times on the touch panel.
The light blinks 5 times means all matched remotes were deleted.

Wiring Diagram for touch panel work as RF remote



RGB/RGBW dynamic mode list (only for T13-S / T14-S)

No.	Name	No.	Name
1	RGB jump	6	RGB fade in and out
2	RGB smooth	7	Red fade in and out
3	6 color jump	8	Green fade in and out
4	6 color smooth	9	Blue fade in and out
5	Yellow cyan purple smooth	10	White fade in and out

RGB+CCT dynamic mode list (only for T15-S)

No.	Name	No.	Name
1	RGB jump	6	RGB fade in and out
2	RGB smooth	7	Red fade in and out
3	6 color jump	8	Green fade in and out
4	6 color smooth	9	Blue fade in and out
5	Color temperature smooth	10	White fade in and out

Malfunctions analysis & troubleshooting

Malfunctions	Causes	Troubleshooting
No light	1. No power. 2. Wrong connection or insecure.	1. Check the power. 2. Check the connection.
Wrong color	1. DMX decoder first address error. 2. Wrong connection of output wires.	1. Check the DMX first address. 2. Reconnect output wires.