

TL4-1D, TL4-2D

Wall Mounted Touch Panel DALI Master



TL4-1D
1/4 Zone DIM



TL4-2D
1/4 Zone CCT

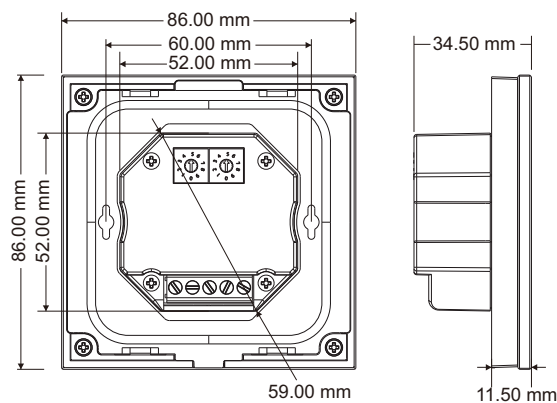
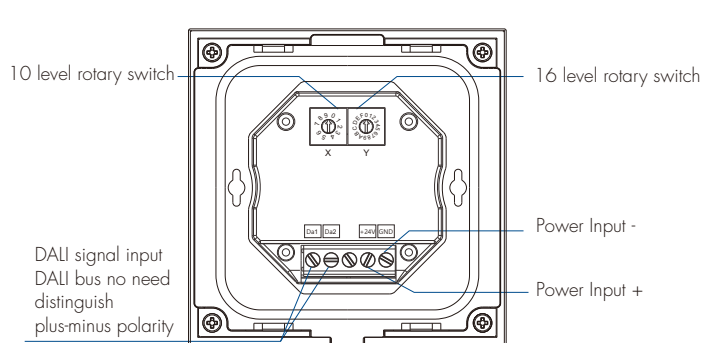
- Touch panel 1 zone or 4 zone DIM/CCT DALI master.
- 1/4 DALI address, support DT6 dimming, DT8-TC color temperature.
- In accordance with DALI standard protocol IEC 62386 and in compliance with DALI products from other international incorporation.
- Powered by DALI bus or 24VDC.
- Enable to select DALI address by encoding switch, support unicast, group and broadcast mode.
- Match with RF 2.4G single zone or multiple zone remote control optional.
- Smooth and accurate brightness and color temperature adjustment by touching the color slide.
- Touch keys with LED indicator.
- White & Black glass panel available.



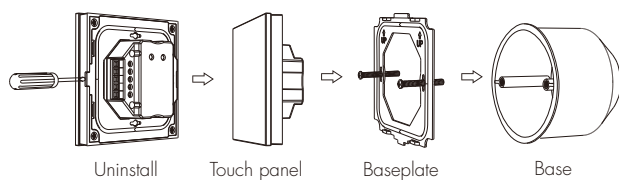
Technical Parameters

Input and Output		Dimming data		Safety and EMC	
Power supply	DALI bus/24VDC	Input signal	Touch key + RF 2.4GHz	EMC standard (EMC)	EN IEC 55015:2019+A11:2020
Static current	17mA@16VDC, 2mA@24VDC	RF Control distance	10m(Barrier-free space)		EN 61547:2009
Output signal	DALI	Dimming level	256 levels		EN IEC 61000-3-2:2019+A11:2021
Environment		Dimming range	0-100%	Safety standard(LVD)	EN 61000-3-3:2013+A11:2019
Operation temperature	Ta: -20°C ~ +50°C	Package			Safety standard(LVD)
Case temperature (Max.)	Tc: +65°C	Size	L112 x W112 x H50mm	Certification	EN 61347-2-13:2014+A1:2017
IP rating	IP20	Gross weight	0.230kg	Warranty	
				Warranty	5 years

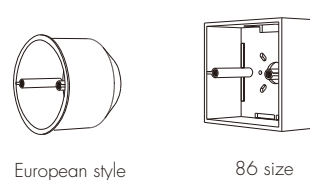
Mechanical Structures and Installations



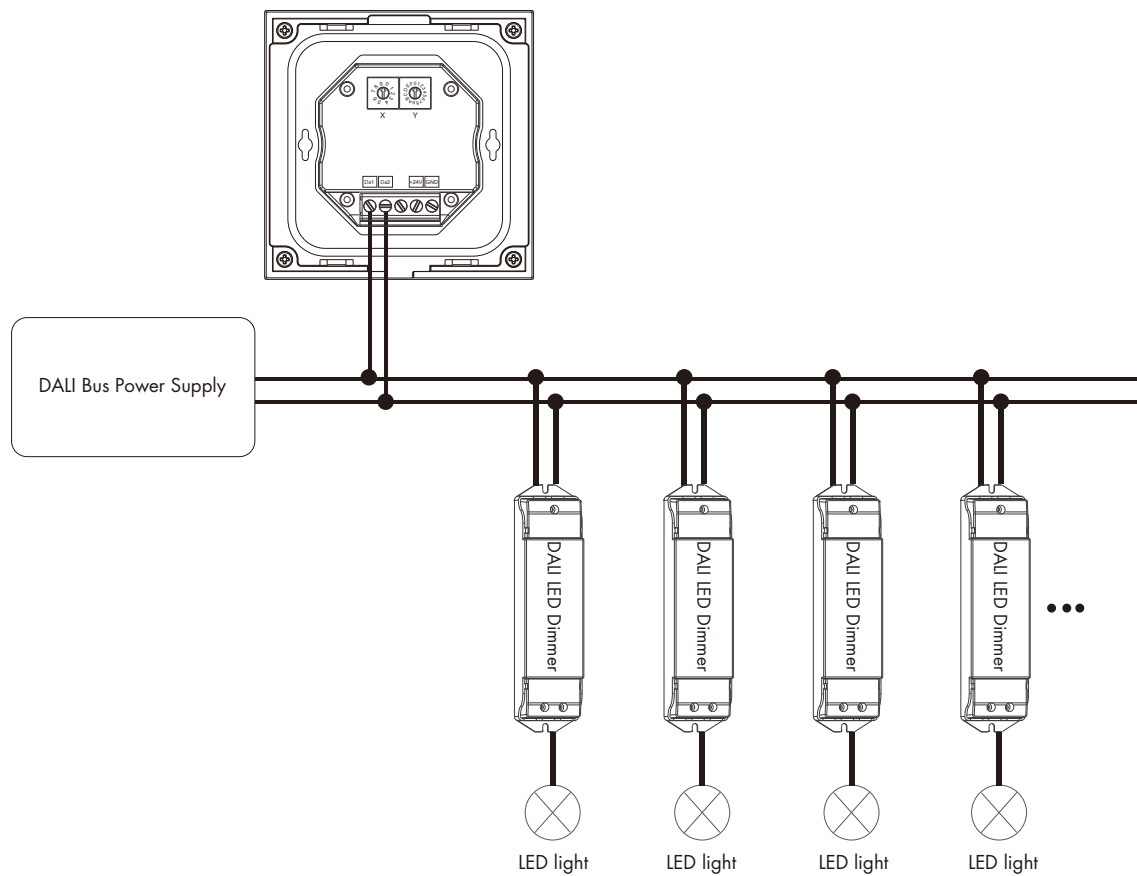
Installation diagram:



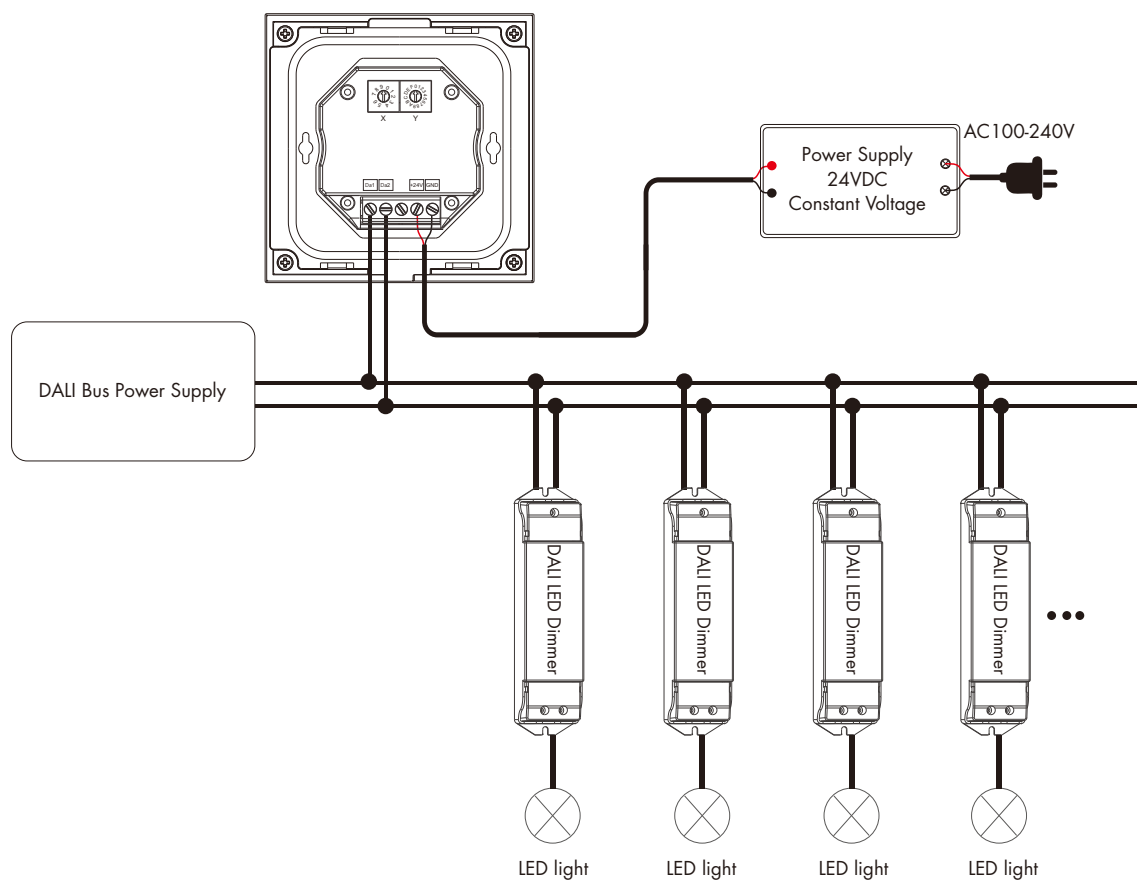
Typical base as below:



1. Powered by DALI bus

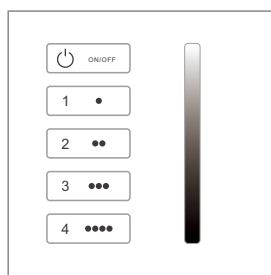


2. Powered by 24VDC



Note: It is recommended to use a 24VDC power supply for the touch panel DALI master to reduce the load on the DALI bus power supply.

● TL4-1D 1 zone or 4 zone single color panel

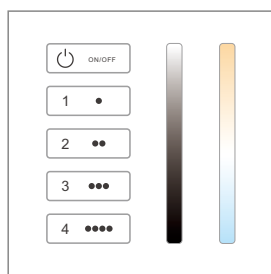


- Turn on/off light.
- Brightness slide.
- 1 ●
- 2 ●●
- 3 ●●●
- 4 ●●●●

Single zone: Short press recall the scene, long press 5s save current brightness into scene 1/2/3/4.

Four zone: Short press select current zone, long press 2s turn off zone light. Short press multiple zone key fastly, will select multiple zone synchronously. 4 zone control separately or synchronously.

● TL4-2D 1 zone or 4 zone dual color panel



- Turn on/off light.
- Color temperature slide.
- Brightness slide.
- 1 ●
- 2 ●●
- 3 ●●●
- 4 ●●●●

Single zone: Short press recall the scene, long press 5s save current brightness into scene 1/2/3/4.

Four zone: Short press select current zone, long press 2s turn off zone light. Short press multiple zone key fastly, will select multiple zone synchronously. 4 zone control separately or synchronously.

Touch Panel DALI master match RF remote

Touch panel DALI master can also match with RF 2.4G remote (Optional). End user can choose the suitable match/delete ways. Two options are offered for selection:

Use On/Off key

Match:
Turn on light, turn off, immediately press the On/Off key of the panel for 5s, then press on/off key (single zone remote) or zone key (multiple zone remote) of the remote within 5s. The LED indicator fast flash 3 times means match is successful.

Delete:
Turn on light, turn off, immediately press the On/Off key of the panel for 10s to delete all match, The LED indicator fast flash 6 times means all matched remotes were deleted.

Use Power Restart

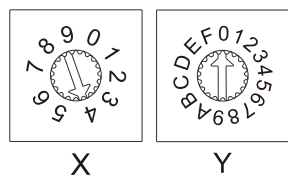
Match:
Switch off the power of the panel, then switch on power, repeat again. Immediately short press on/off key (single zone remote) or zone key (multiple zone remote) of the remote 3 times. The LED indicator fast flash 3 times means match is successful.

Delete:
Switch off the power of the panel, then switch on power, repeat again. Immediately short press on/off key (single zone remote) or zone key (multiple zone remote) of the remote 5 times. The LED indicator fast flash 6 times means all matched remotes were deleted.

DALI Address Setting

The DALI address is set via two coding switches on the back of the panel, supporting unicast, group and broadcast modes. Address value = X * 10 + Y. For example: X = 5, Y = 4, Address value = 5 x 10 + 4 = 54.

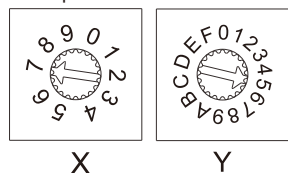
Unicast mode



Single zone: X is 0-6, Y is 0-9; address value 00-63 correspond to DALI unicast address 00-63. For example: address value = 40, the unicast address value is 40.

Four zone: X is 8, Y is 0-F; address value 80-8F correspond to DALI unicast address 00-63. For example: address value = 80, the unicast values of zone 1,2,3,4 are 0,1,2,3. address value = 85, the unicast values of zone 1,2,3,4 are 20,21,22,23.

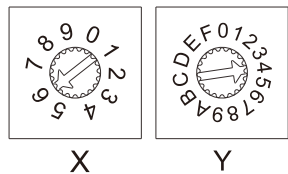
Group mode



Single zone: X is 7, Y is 0-F; address value 70-7F correspond to DALI group address 0-15. For example: address value = 75, the group address value is 5.

Four zone: X is 9, Y is 0-F; address value 90-9F correspond to DALI group address 0-15. For example: address value = 95, the group address value of zone 1,2,3,4 are 5,6,7,8. address value = 9E, the group address value of zone 1,2,3,4 are 14,15,0,1.

Broadcast mode



X is 6, Y is 4F. Address value 64 - 6F correspond to broadcast address.