

## SPI Signal Splitter

- Split 1 group SPI signal (data+clock) to 2 group SPI signals.
- Used with SPI controller, applied to synchronous control multiple SPI digital RGB or RGBW LED strips.

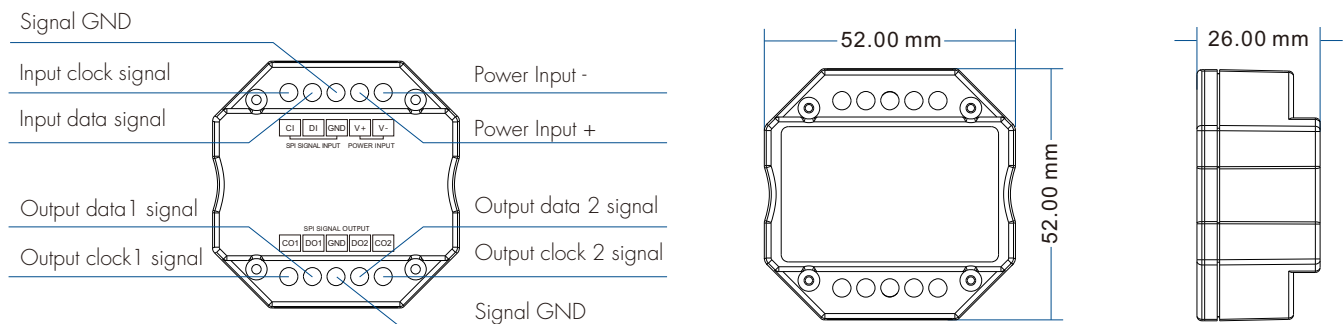


CE RoHS emc RED

### Technical Parameters

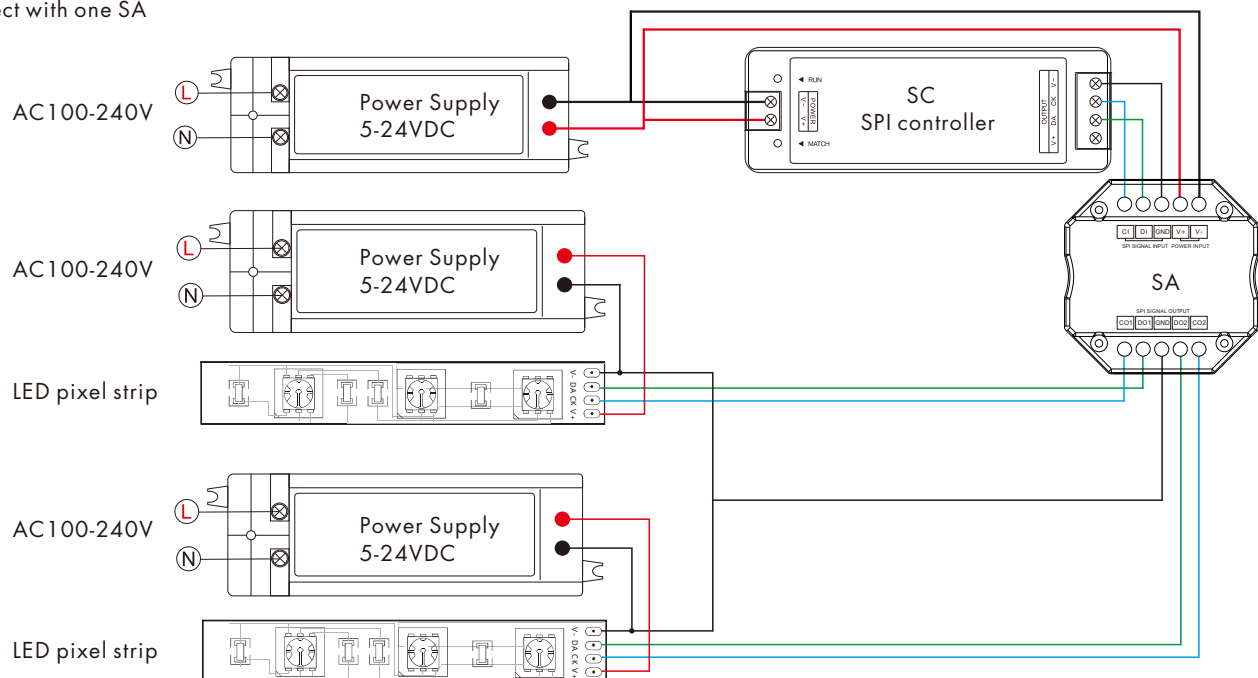
Input and Output		Environment		Safety and EMC	
Input voltage	5-24VDC	Operation temperature	Ta: -30°C ~ +55°C	EMC standard (EMC)	ETSI EN 301 489-1 V2.2.3
Input Current	0.5A Max.	Case temperature(Max.)	Tc: +65°C		ETSI EN 301 489-17 V3.2.4
Input signal	1 group SPI (TTL) signal	IP rating	IP20	Safety standard	EN 61348-1:2015+A1:2021
Output signal	2 group SPI (TTL) signals	<b>Package</b>			EN 61348-2-13:2014+A1:2017
<b>Warranty and Protection</b>		Size	L60 x W60 x H40mm	Radio Equipment(RED)	ETSI EN 300 328 V2.2.2
Warranty	5 years	Gross weight	0.049kg	Certification	CE,EMC,RED
Protection	Reverse Polarity				

### Mechanical Structures and Installations

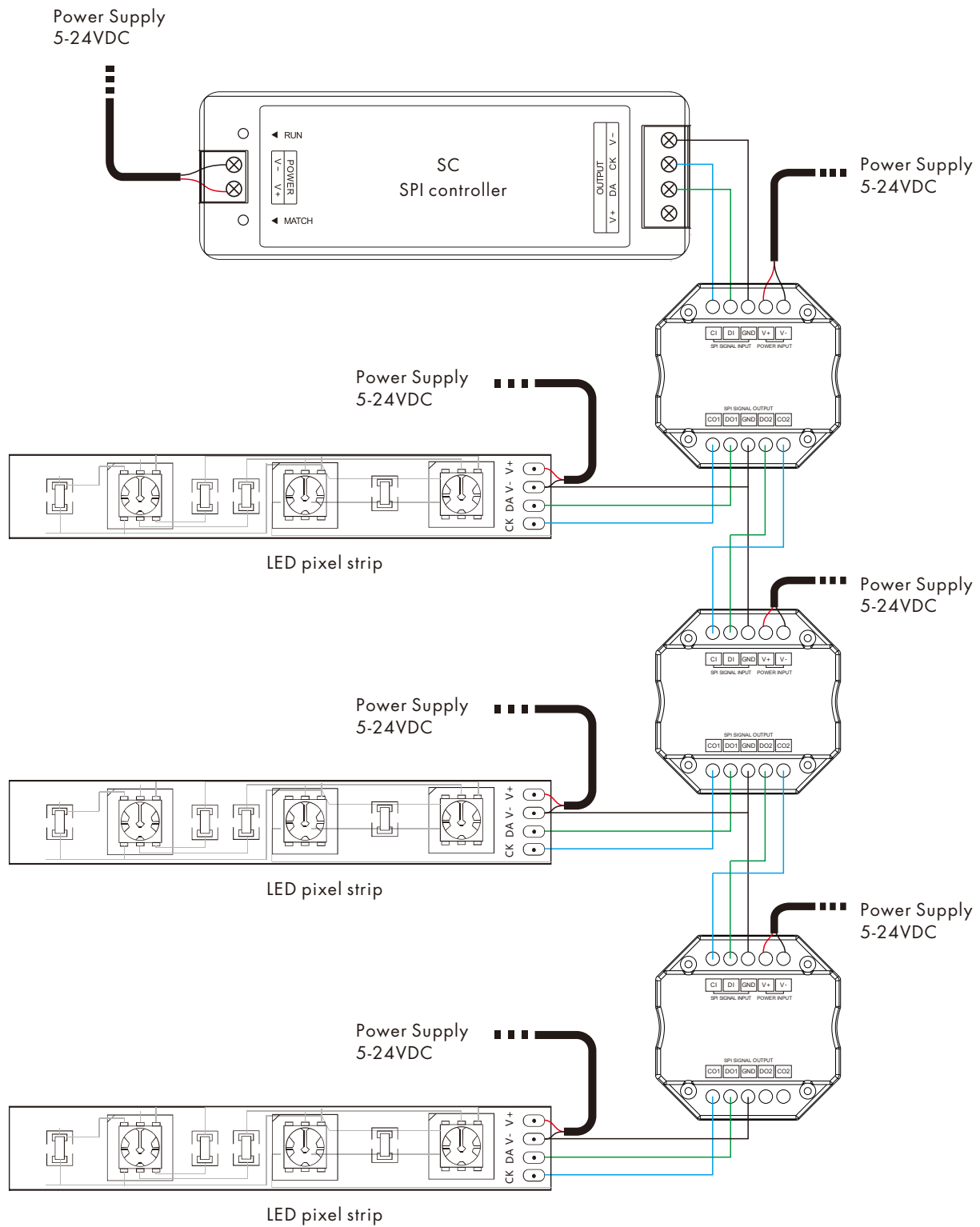


### Wiring Diagram

- Connect with one SA



• Multiple SA cascade connect



Note:

- If the SPI LED pixel strip is single-wire control, the DATA and CLK output is same, each SA can connect up to 4 LED strips.
- If the SPI LED pixel strip is two-wire control, each SA connect up to 2 LED strips.