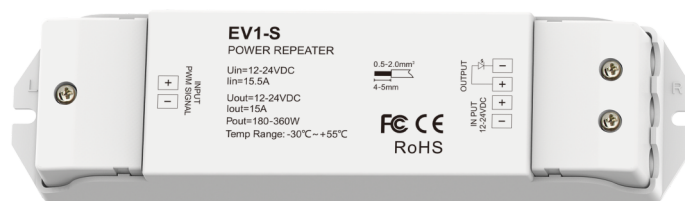


EV1-S

Power Repeater

1 Channel Constant Voltage Power Repeater

- 12-24V constant voltage power repeater.
- one channel, 15A.
- To receive PWM signal control.
- Power repeater in series or in parallel to expand output unlimitedly.
- Apply to single color constant voltage LED strip or module.

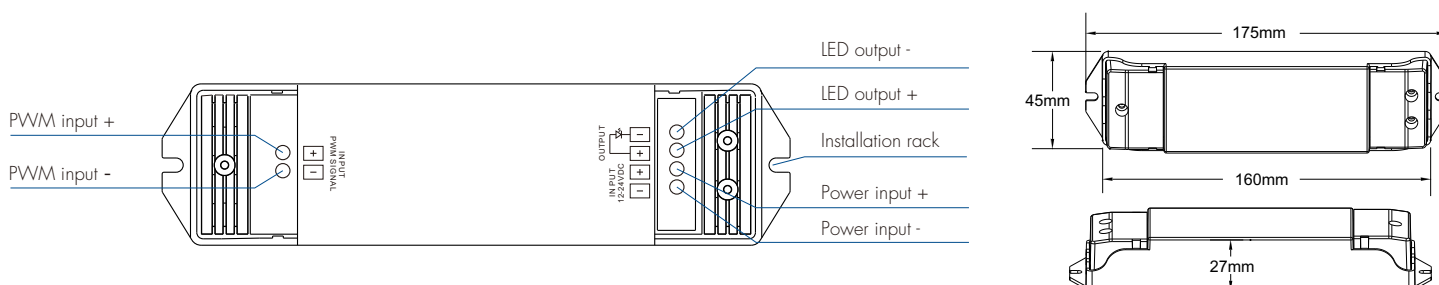


CE FCC RoHS

Technical Parameters

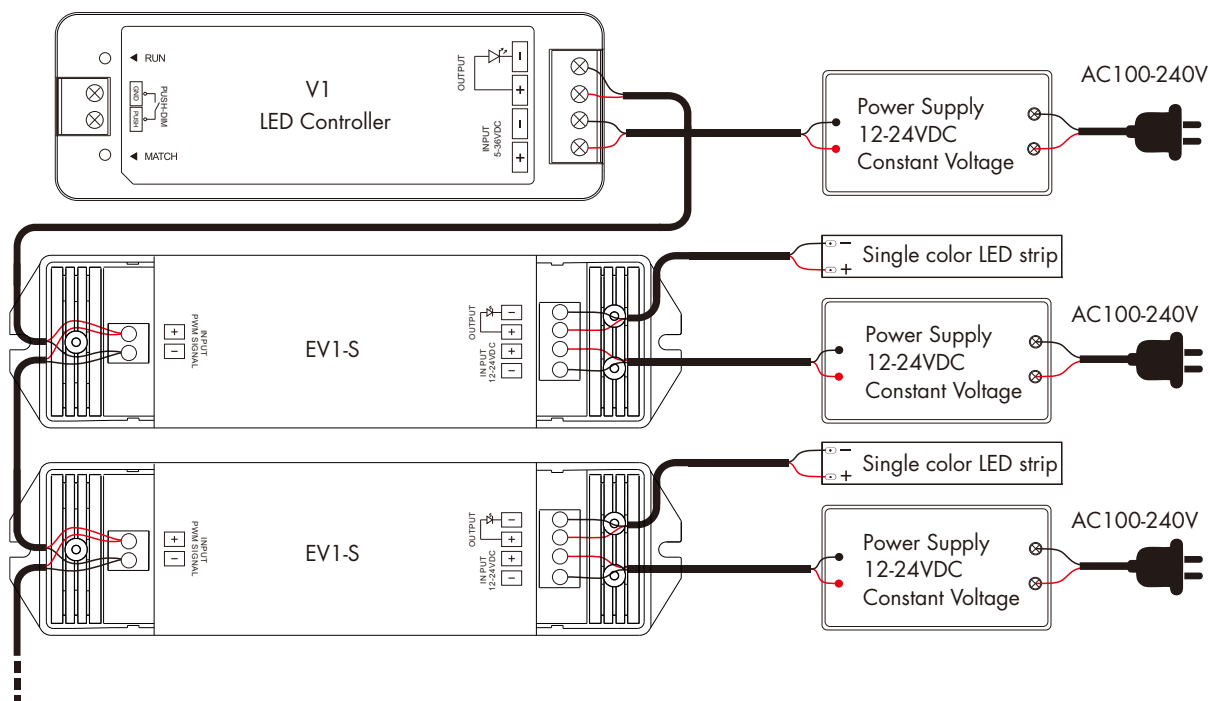
| Input and Output | | Warranty and Protection | | Safety and EMC | |
|------------------|------------------|-------------------------|-------------------|-----------------|---------------------------|
| Input voltage | 12-24VDC | Warranty | 5 years | EMC standard | EN IEC 55015/EN IEC 61547 |
| Input current | 15.5A | Protection | Reverse Polarity | Safety standard | EN 61347-1/-2 EN 62493 |
| Input signal | PWM | Environment | | Certification | CE RoHS FCC |
| Output voltage | 12-24VDC | Operation temperature | Ta: -30°C ~ +55°C | Package | |
| Output current | 15A | Case temperature (Max.) | Tc: +85°C | Size | L178 x W50 x H38mm |
| Output power | 180-360W | IP rating | IP20 | Gross weight | 0.119kg |
| Output type | Constant voltage | | | | |

Mechanical Structures and Installations

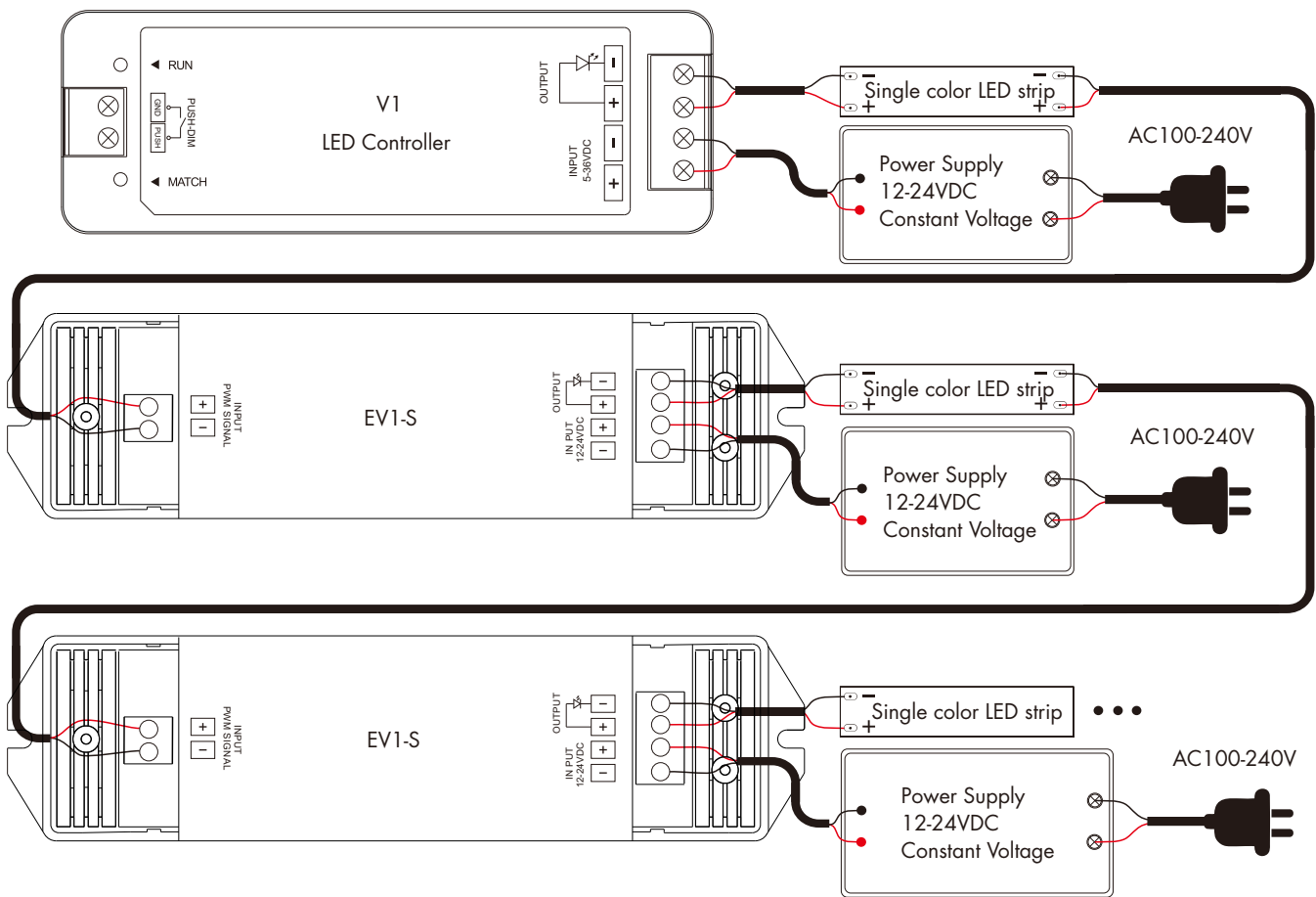


Wiring Diagram

- Parallel connection



• Series connection



Note:

If the input PWM frequency is $\geq 8000\text{Hz}$, it is recommended to reduce the output current to below 70% to avoid overheating and affecting the service life of the product.

Malfunctions Analysis & Troubleshooting

| Malfunctions | Causes | Troubleshooting |
|--|--|---|
| No light | <ol style="list-style-type: none"> 1. No power. 2. Wrong connection or insecure. | <ol style="list-style-type: none"> 1. Check the power. 2. Check the connection. |
| Uneven intensity between front and rear, with voltage drop | <ol style="list-style-type: none"> 1. Output cable is too long. 2. Wire diameter is too small. 3. Overload beyond power supply capability. 4. Overload beyond controller capability. | <ol style="list-style-type: none"> 1. Reduce cable or loop supply. 2. Change wider wire. 3. Replace higher power supply. 4. Add power repeater. |

Safety & Warnings

1. The product shall be installed and serviced by a qualified person.
2. This product is non-waterproof. Please avoid the sun and rain.
3. Good heat dissipation will prolong the working life of the controller, Please ensure good ventilation.
4. Please check if the output voltage of any power supplies used comply with the working voltage of the product.
5. Ensure all wire connections and polarities are correct and secure before applying power to avoid any damages to the LED lights.
6. If a fault occurs please return the product to your supplier. Do not attempt to fix this product by yourself.

FCC Statement:

This device complies with Part 15 of the FCC Rules. operation is subject to the following two conditions:

- (1) this device may not cause harmful interference, and
- (2) this device must accept any interference received, including interference that may cause undesired operation.

IC Statement: This Class B digital apparatus complies with Canadian ICES-003.

(Cet appareil numérique de la Classe B conforme à la norme NMB-003 du Canada).